

**FRANKE**



**COMM  
ERCIAL**

**2024**

# COMMERCIAL 2024

## PRODUCT CATEGORIES

- 02 Stainless steel sinks
- 15 Type 316 laboratory sinks
- 24 Utility & scullery
- 40 Vanity basins
- 46 Healthcare
- 59 Hand wash basins
- 70 Washroom accessories
- 76 Waste fittings
- 80 Custom solutions
  
- 83 Corrosion resistance information
- 84 Care & maintenance
  
- 85 Warranty
- 86 Terms & conditions





# Stainless Steel Sinks



Guaranteed to maintain their functionality over time, Franke Commercial stainless steel sinks remain brilliant and easy to clean. Stainless steel is the material of choice for commercial environments where durability, hygiene, and functionality matter most.

Franke Commercial stainless steel sinks have been engineered for quick and easy installation.

Our patented EZ Torque™ fasteners mean a Franke sink will **install five times faster** than the competition. One-handed drop and drill installation: fasteners come pre-installed on the sink meaning you can simply drop the sink into the countertop and use a drill to tighten the fasteners.

Factory applied rimseal simplifies installation. No need for silicone for the sink rim eliminates a messy step from the install process.



### Satin finish

A #4 satin finished bowl and deck allows scratches to be blended into the grain line. An ideal finish for commercial applications.



### EZ Torque™ fasteners

Install a Franke Commercial topmount sink in two easy steps: drop and drill. Bright red EZ Torque™ fasteners are easy to spot and can be tightened with a drill in seconds.



### Rimseal pre-installed

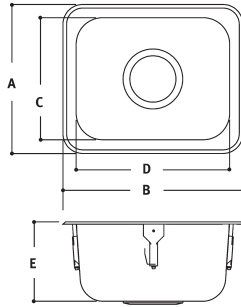
We make installing a Franke Commercial topmount sinks quick and easy. Our factory-applied Rimseal means fewer installation steps and less mess.



### Waste fitting included

Most Franke Commercial sinks are sold with a stainless steel waste kit included in the box. These high quality waste assemblies are also available separately.

## Single bowl topmount no faucet ledge, 20 gauge

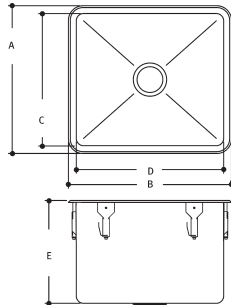


Single compartment self rimming topmount sink, 20 gauge (0.9 mm), type 302 (CNS 18/8) stainless steel, #4 satin finish. Undercoated to reduce condensation and resonance. Factory applied rim seal and factory installed EZ TORQUE™ fasteners. Includes 3 1/2" (89 mm) crumb cup waste assembly with 1 1/2" (DN38) brass tailpiece. Certified to ASME A112.19.3/CSA B45.4.



♿	MODEL	Overall Dimensions		Sink Compartment Dimensions			WASTE LOCATION	GAUGE	PRICE
		A FRONT-BACK	B LEFT-RIGHT	C FRONT-BACK	D LEFT-RIGHT	E DEPTH			
•	S9106-1	11 1/4" (286 mm)	13 5/8" (346 mm)	9 1/4" (235 mm)	11 5/8" (295 mm)	6" (152 mm)	C	20	\$ 281
•	S4206-1	16 1/8" (410 mm)	14 1/8" (359 mm)	14" (356 mm)	12" (305 mm)	6" (152 mm)	CB	20	\$ 462
	S6408-1	18 1/8" (460 mm)	16 1/8" (410 mm)	16" (406 mm)	14" (356 mm)	8" (203 mm)	CB	20	\$ 428
	S6808-1	18 1/8" (460 mm)	20 1/8" (511 mm)	16" (406 mm)	18" (457 mm)	8" (203 mm)	CB	20	\$ 487
	S6810-1	18 1/8" (460 mm)	20 1/8" (511 mm)	16" (406 mm)	18" (457 mm)	10" (254 mm)	C	20	\$ 596
	S7308-1	19 1/4" (489 mm)	25 1/4" (641 mm)	17" (432 mm)	23" (584 mm)	8" (203 mm)	CB	20	\$ 555

## Single bowl topmount no faucet ledge, 18 gauge

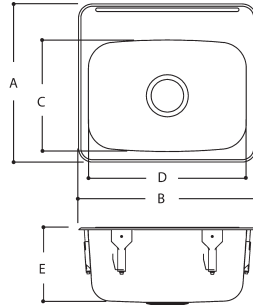


Single compartment self rimming topmount sink, 18 gauge (1.2 mm), type 304 (CNS 18/10) stainless steel, #4 satin finish. Undercoated to reduce condensation and resonance. Factory applied rim seal and factory installed EZ TORQUE™ fasteners. Includes 3 1/2" (89 mm) crumb cup waste assembly with 1 1/2" (DN38) brass tailpiece. Certified to ASME A112.19.3/CSA B45.4.



♿	MODEL	Overall Dimensions		Sink Compartment Dimensions			WASTE LOCATION	GAUGE	PRICE
		A FRONT-BACK	B LEFT-RIGHT	C FRONT-BACK	D LEFT-RIGHT	E DEPTH			
•	AS6105P-1	18 1/8" (460 mm)	23 1/8" (587 mm)	16" (406 mm)	21" (533 mm)	5" (127 mm)	CB	18	\$ 878
	S6410PCB-1	18 1/8" (460 mm)	16 1/8" (410 mm)	16" (406 mm)	14" (356 mm)	10" (254 mm)	CB	18	\$ 925
	S7314P-1	19 5/8" (498 mm)	25 5/8" (651 mm)	17 1/2" (445 mm)	23 1/2" (597 mm)	14" (356 mm)	C	18	\$ 2,135
	S8014P-1	20 1/8" (511 mm)	22 1/8" (562 mm)	18" (457 mm)	20" (508 mm)	14" (356 mm)	C	18	\$ 2,127

## Single bowl topmount with faucet ledge, 20 gauge



Single compartment self rimming topmount sink with faucet ledge, 20 gauge (0.9 mm), type 302 (CNS 18/8) stainless steel, #4 satin finish. Undercoated to reduce condensation and resonance. Factory applied rim seal and factory installed EZ TORQUE™ fasteners. Includes 3 1/2" (89 mm) crumb cup waste assembly with 1 1/2" (DN38) brass tailpiece. Certified to ASME A112.19.3/CSA B45.4.

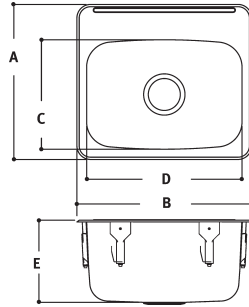
Faucet hole options (add to part number when ordering):

- 1 1 hole, centered
- 2 2 hole, 4" spread
- 3 3 hole, 8" spread



ADA	MODEL	Overall Dimensions		Sink Compartment Dimensions			WASTE LOCATION	FAUCET HOLE OPTIONS	PRICE
		A FRONT-BACK	B LEFT-RIGHT	C FRONT-BACK	D LEFT-RIGHT	E DEPTH			
•	LBS9106-1	13 3/4" (349 mm)	13 5/8" (346 mm)	9 1/4" (235 mm)	11 5/8" (295 mm)	6" (152 mm)	C	1,2	\$ 377
	LBS9407-1	14 5/16" (364 mm)	16 5/8" (422 mm)	9 1/2" (241 mm)	14 1/2" (368 mm)	7" (178 mm)	C	1,2	\$ 460
•	LBS1306-1	15 7/16" (392 mm)	15 1/8" (384 mm)	11" (279 mm)	13" (330 mm)	6" (152 mm)	C	1,2	\$ 324
	LBS2708-1	17" (432 mm)	19 1/8" (486 mm)	12" (305 mm)	17" (432 mm)	8" (203 mm)	C	1,3	\$ 511
	LBS4607-1	18 13/16" (478 mm)	18 1/8" (460 mm)	14" (356 mm)	16" (406 mm)	7" (178 mm)	C	1,3	\$ 434
•	ALBS6805-1	20 9/16" (522 mm)	20 1/8" (511 mm)	16" (406 mm)	18" (457 mm)	5" (127 mm)	LR	1,3	\$ 482
	LBS6807-1	20 1/2" (521 mm)	20" (508 mm)	16" (406 mm)	18" (457 mm)	7" (178 mm)	CB	1,3	\$ 479
	LBS6807-2	20 1/2" (521 mm)	20" (508 mm)	16" (406 mm)	18" (457 mm)	7" (178 mm)	CB	1,3	\$ 548
	LBS6808-1	20 1/2" (521 mm)	20" (508 mm)	16" (406 mm)	18" (457 mm)	8" (203 mm)	CB	1,3	\$ 526
	LBS6808-2	20 1/2" (521 mm)	20" (508 mm)	16" (406 mm)	18" (457 mm)	8" (203 mm)	CB	1,3	\$ 583
	LBS6810-1	20 9/16" (522 mm)	20 1/8" (511 mm)	16" (406 mm)	18" (457 mm)	10" (254 mm)	C	1,3	\$ 689
	LBS7508-1	22" (559 mm)	17 1/4" (438 mm)	17" (432 mm)	15" (381 mm)	8" (203 mm)	CB	1,3	\$ 488
	LBS7308-1	22 1/16" (560 mm)	25 5/8" (651 mm)	17" (432 mm)	23" (584 mm)	8" (203 mm)	CB	1,3	\$ 568

# Single bowl topmount with faucet ledge, 18 gauge



Single compartment self rimming topmount sink, 18 gauge (1.2 mm), type 304 (CNS 18/10) stainless steel, #4 satin finish. Undercoated to reduce condensation and resonance. Factory applied rim seal and factory installed EZ TORQUE™ fasteners. Some models include one 3 1/2" (89 mm) crumb cup waste assembly with 1 1/2" (DN38) brass tailpiece. (Quick Ship models noted with ♦ require waste assembly, ordered separately). Certified to ASME A112.19.3/CSA B45.4

Faucet hole options (add to part number when ordering):

- 1 1 hole, centered
- 2 2 hole, 4" spread
- 3 3 hole, 8" spread

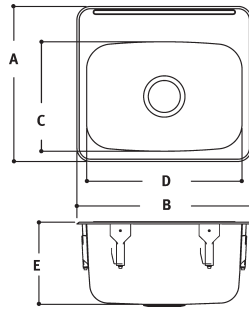


MODEL	Overall Dimensions		Sink Compartment Dimensions			WASTE LOCATION	FAUCET HOLE OPTIONS	PRICE
	A FRONT-BACK	B LEFT-RIGHT	C FRONT-BACK	D LEFT-RIGHT	E DEPTH			
• ALBS9405P-1	14 5/16" (364 mm)	16 5/8" (422 mm)	9 1/2" (241 mm)	14 1/2" (368 mm)	5" (127 mm)	C	1,2	\$ 756
• ALBS9406P-1	14 5/16" (364 mm)	16 5/8" (422 mm)	9 1/2" (241 mm)	14 1/2" (368 mm)	6" (152 mm)	C	1,2	\$ 756
• LBS9408P-1	14 5/16" (364 mm)	16 5/8" (422 mm)	9 1/2" (241 mm)	14 1/2" (368 mm)	8" (203 mm)	C	1,2	\$ 780
• ALBS1305P-1	15 7/16" (392 mm)	15 1/8" (384 mm)	11" (279 mm)	13" (330 mm)	5" (127 mm)	C	1,2	\$ 709
• ALBS1306P-1	15 7/16" (392 mm)	15 1/8" (384 mm)	11" (279 mm)	13" (330 mm)	6" (152 mm)	C	1,2	\$ 709
• LBS1308P-1	15 7/16" (392 mm)	15 1/8" (384 mm)	11" (279 mm)	13" (330 mm)	8" (203 mm)	C	1,2	\$ 678
• ALBS2706P-1	17" (432 mm)	19 1/8" (486 mm)	12" (305 mm)	17" (432 mm)	6" (152 mm)	C	1,3	\$ 774
• LBS2708P-1	17" (432 mm)	19 1/8" (486 mm)	12" (305 mm)	17" (432 mm)	8" (203 mm)	C	1,3	\$ 709
• ALBS4405P-1	18 13/16" (478 mm)	16 1/8" (410 mm)	14" (356 mm)	14" (356 mm)	5" (127 mm)	CB	1,3	\$ 722
• ALBS4406P-1	18 13/16" (478 mm)	16 1/8" (410 mm)	14" (356 mm)	14" (356 mm)	6" (152 mm)	CB	1,3	\$ 722
• LBS4408P-1	18 13/16" (478 mm)	16 1/8" (410 mm)	14" (356 mm)	14" (356 mm)	8" (203 mm)	CB	1,3	\$ 735
• LBS4410P-1	18 13/16" (478 mm)	16 1/8" (410 mm)	14" (356 mm)	14" (356 mm)	10" (254 mm)	CB	1,3	\$ 942
• ALBS4605P-1	18 13/16" (478 mm)	18 1/8" (460 mm)	14" (356 mm)	16" (406 mm)	5" (127 mm)	C	1,3	\$ 862
• ALBS4606P-1	18 13/16" (478 mm)	18 1/8" (460 mm)	14" (356 mm)	16" (406 mm)	6" (152 mm)	C	1,3	\$ 862
• LBS4608P-1	18 13/16" (478 mm)	18 1/8" (460 mm)	14" (356 mm)	16" (406 mm)	8" (203 mm)	C	1,3	\$ 839
• LBS4610P-1	18 13/16" (478 mm)	18 1/8" (460 mm)	14" (356 mm)	16" (406 mm)	10" (254 mm)	C	1,3	\$ 1,024
• ALBS4005P-1	18 13/16" (478 mm)	22 1/8" (562 mm)	14" (356 mm)	20" (508 mm)	5" (127 mm)	CB	1,3	\$ 841
• ALBS4006P-1	18 13/16" (478 mm)	22 1/8" (562 mm)	14" (356 mm)	20" (508 mm)	6" (152 mm)	CB	1,3	\$ 841
• ALBS192206P-1 ♦	18 13/16" (478 mm)	22 1/8" (562 mm)	14" (356 mm)	20" (508 mm)	6" (152 mm)	CB	1,3	\$ 521
• LBS4008P-1	18 13/16" (478 mm)	22 1/8" (562 mm)	14" (356 mm)	20" (508 mm)	8" (203 mm)	CB	1,3	\$ 801
• LBS192208P-1 ♦	18 13/16" (478 mm)	22 1/8" (562 mm)	14" (356 mm)	20" (508 mm)	8" (203 mm)	CB	1,3	\$ 564
• LBS4010P-1	18 13/16" (478 mm)	22 1/8" (562 mm)	14" (356 mm)	20" (508 mm)	10" (254 mm)	CB	1,3	\$ 934
• ALBS6406P-1	20 9/16" (522 mm)	16 1/8" (410 mm)	16" (406 mm)	14" (356 mm)	6" (152 mm)	CB	1,3	\$ 761
• LBS6408P-1	20 9/16" (522 mm)	16 1/8" (410 mm)	16" (406 mm)	14" (356 mm)	8" (203 mm)	CB	1,3	\$ 725
• LBS6410PCB-1	20 9/16" (522 mm)	16 1/8" (410 mm)	16" (406 mm)	14" (356 mm)	10" (254 mm)	CB	1,3	\$ 891
• ALBS6805P-1	20 9/16" (522 mm)	20 1/8" (511 mm)	16" (406 mm)	18" (457 mm)	5" (127 mm)	LR	1,3	\$ 845
• ALBS6806P-1	20 1/2" (521 mm)	20" (508 mm)	16" (406 mm)	18" (457 mm)	6" (152 mm)	CB	1,3	\$ 845
• LBS6808P-1	20 1/2" (521 mm)	20" (508 mm)	16" (406 mm)	18" (457 mm)	8" (203 mm)	CB	1,3	\$ 804
• LBS6810P-1	20 9/16" (521 mm)	20 1/8" (508 mm)	16" (406 mm)	18" (457 mm)	10" (254 mm)	C	1,3	\$ 979
• ALBS6105P-1	20 13/16" (529 mm)	23 1/8" (587 mm)	16" (406 mm)	21" (533 mm)	5" (127 mm)	CB	1,3	\$ 949
• ALBS6106P-1	20 13/16" (529 mm)	23 1/8" (587 mm)	16" (406 mm)	21" (533 mm)	6" (152 mm)	CB	1,3	\$ 949
• LBS6108P-1	20 13/16" (529 mm)	23 1/8" (587 mm)	16" (406 mm)	21" (533 mm)	8" (203 mm)	CB	1,3	\$ 835
• LBS6110P-1	20 13/16" (529 mm)	23 1/8" (587 mm)	16" (406 mm)	21" (533 mm)	10" (254 mm)	CB	1,3	\$ 1,144

more next page >>



# Single bowl topmount with faucet ledge, 18 gauge



Single compartment self rimming topmount sink, 18 gauge (1.2 mm), type 304 (CNS 18/10) stainless steel, #4 satin finish. Undercoated to reduce condensation and resonance. Factory applied rim seal and factory installed EZ TORQUE™ fasteners. Some models include one 3 1/2" (89 mm) crumb cup waste assembly with 1 1/2" (DN38) brass tailpiece. (Quick Ship models noted with ♦ require waste assembly, ordered separately). Certified to ASME A112.19.3/CSA B45.4.



Faucet hole options (add to part number when ordering):  
 -1 1 hole, centered  
 -3 3 hole, 8" spread

MODEL	Overall Dimensions		Sink Compartment Dimensions			WASTE LOCATION	FAUCET HOLE OPTIONS	PRICE
	A FRONT-BACK	B LEFT-RIGHT	C FRONT-BACK	D LEFT-RIGHT	E DEPTH			
• ALBS7006P-1	21 13/16" (554 mm)	22 1/8" (562 mm)	17" (432 mm)	20" (508 mm)	6" (152 mm)	CB	1,3	\$ 919
LBS7008P-1	21 13/16" (554 mm)	22 1/8" (562 mm)	17" (432 mm)	20" (508 mm)	8" (203 mm)	CB	1,3	\$ 865
• ALBS7506P-1	22" (559 mm)	17 1/4" (438 mm)	17" (432 mm)	15" (381 mm)	6" (152 mm)	CB	1,3	\$ 772
LBS7508P-1	22" (559 mm)	17 1/4" (438 mm)	17" (432 mm)	15" (381 mm)	8" (203 mm)	CB	1,3	\$ 734
• ALBS222506P-1 ♦	22" (559 mm)	25 1/4" (641 mm)	17" (432 mm)	23" (584 mm)	6" (152 mm)	CB	1,3	\$ 571
LBS222508P-1 ♦	22" (559 mm)	25 1/4" (641 mm)	17" (432 mm)	23" (584 mm)	8" (203 mm)	CB	1,3	\$ 559
• ALBS7305P-1	22 1/16" (560 mm)	25 5/8" (651 mm)	17" (432 mm)	23" (584 mm)	5" (127 mm)	CB	1,3	\$ 878
• ALBS7306P-1	22 1/16" (560 mm)	25 5/8" (651 mm)	17" (432 mm)	23" (584 mm)	6" (152 mm)	CB	1,3	\$ 878
LBS7308P-1	22 1/16" (560 mm)	25 5/8" (651 mm)	17" (432 mm)	23" (584 mm)	8" (203 mm)	CB	1,3	\$ 835
LBS7310P-1	22 1/16" (560 mm)	25 5/8" (651 mm)	17" (432 mm)	23" (584 mm)	10" (254 mm)	CB	1,3	\$ 1,060
LBS7312P-1	22 1/16" (560 mm)	25 5/8" (651 mm)	17 1/2" (445 mm)	23 1/2" (597 mm)	12" (305 mm)	C	1,3	\$ 1,169
LBS7314P-1	22 9/16" (573 mm)	25 5/8" (651 mm)	17 1/2" (445 mm)	23 1/2" (597 mm)	14" (356 mm)	C	1,3	\$ 2,256
• ALBS7805P-1	22" (559 mm)	30 1/8" (765 mm)	17" (432 mm)	28" (711 mm)	5" (127 mm)	CB	1,3	\$ 1,173
• ALBS7806P-1	22" (559 mm)	30 1/8" (765 mm)	17" (432 mm)	28" (711 mm)	6" (152 mm)	CB	1,3	\$ 1,173
LBS7808P-1	22" (559 mm)	30 1/8" (765 mm)	17" (432 mm)	28" (711 mm)	8" (203 mm)	CB	1,3	\$ 985
• ALBS223306P-1 ♦	22" (559 mm)	33 3/8" (848 mm)	17" (432 mm)	31" (787 mm)	6" (152 mm)	CB	1,3	\$ 684
LBS223308P-1 ♦	22" (559 mm)	33 3/8" (848 mm)	17" (432 mm)	31" (787 mm)	8" (203 mm)	CB	1,3	\$ 697
LBS8014P-1	23 1/8" (587 mm)	22 1/8" (562 mm)	18" (457 mm)	20" (508 mm)	14" (356 mm)	C	1,3	\$ 2,188

## Double bowl topmount no faucet ledge



### Double bowl, no faucet ledge, 20 gauge

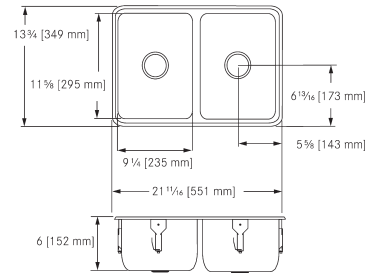
#### D1906-1

Double compartment self rimming topmount sink, 20 gauge (0.9 mm), type 302 (CNS 18/8) stainless steel. Polished #4 satin finish. Includes 3 1/2" (89 mm) crumb cup waste assemblies with 1 1/2" (DN38) brass tailpiece. Undercoated to reduce condensation and resonance. Factory applied rim seal and factory installed EZ TORQUE™ fasteners. Certified to ASME A112.19.3/CSA B45.4.

Outside dimensions **13 3/4 x 21 11/16"**

Inside bowl **11 5/8 x 9 1/4 x 6"**

Waste location **Center**



**\$ 743**



### Double bowl, no faucet ledge, 20 gauge

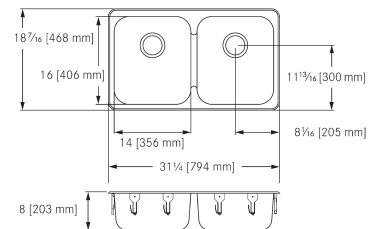
#### D6408-1

Double compartment self rimming topmount sink, with Spillway partition in 20 gauge (0.9 mm), type type 302 (CNS 18/8) stainless steel. Polished #4 satin finish. Includes 3 1/2" (89 mm) crumb cup waste assemblies with 1 1/2" (DN38) brass tailpiece. Undercoated to reduce condensation and resonance. Factory applied rim seal and factory installed EZ TORQUE™ fasteners. Certified to ASME A112.19.3/CSA B45.4.

Outside dimensions **18 7/16 x 31 1/4"**

Inside bowl **16 x 14 x 8"**

Waste location **Center back**



**\$ 880**



### Double bowl, no faucet ledge, 18 gauge

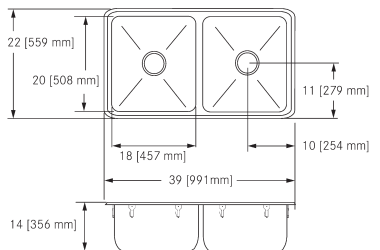
#### D0814P-1

Double compartment self rimming topmount sink, 18 gauge (1.2 mm), type 304 (CNS 18/10) stainless steel. Polished #4 satin finish. Includes 3 1/2" (89 mm) crumb cup waste assemblies with 1 1/2" (DN38) brass tailpiece. Undercoated to reduce condensation and resonance. Factory applied rim seal and factory installed EZ TORQUE™ fasteners. Certified to ASME A112.19.3/CSA B45.4.

Outside dimensions **22 x 39"**

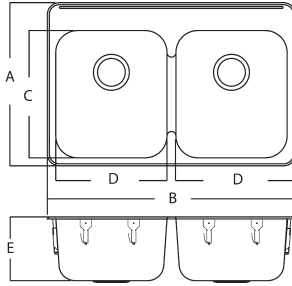
Inside bowl **20 x 20 x 14"**

Waste location **Center**



**\$ 3,586**

## Double bowl topmount with faucet ledge, 20 gauge



Double compartment self rimming topmount, 20 gauge (0.9 mm), type 302 (CNS 18/8) stainless steel. #4 satin finish. Includes 3 1/2" (89 mm) crumb cup waste assemblies with 1 1/2" (DN38) brass tailpiece. Undercoated to reduce condensation and resonance. Factory applied rim seal and factory installed EZ TORQUE™ fasteners. Certified to ASME A112.19.3/CSA B45.4

Faucet hole options (*add to part number when ordering*):

- 1 1 hole, centered over partition
- 3 3 hole, 8" spread, centered over partition

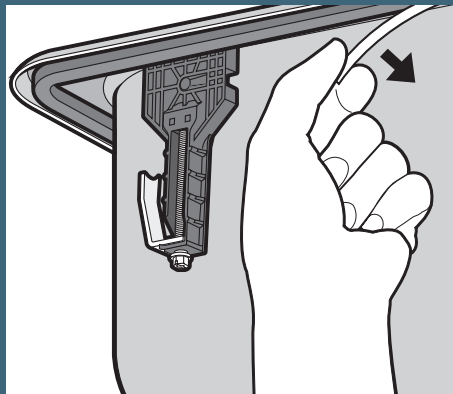


MODEL	Overall Dimensions		Sink Compartment Dimensions			WASTE LOCATION	FAUCET HOLE OPTIONS	PRICE
	A FRONT-BACK	B LEFT-RIGHT	C FRONT-BACK	D LEFT-RIGHT	E DEPTH			
ALBD6405-1	20 1/2" (521 mm)	31 1/4" (794 mm)	16" (406 mm)	14" (356 mm)	5" (127 mm)	LR,RR	1,3	\$ 501
LBD6407-1	20 1/2" (521 mm)	31 1/4" (794 mm)	16" (406 mm)	14" (356 mm)	7" (178 mm)	CB	1,3	\$ 812
LBD6408-1	20 1/2" (521 mm)	31 1/4" (794 mm)	16" (406 mm)	14" (356 mm)	8" (203 mm)	CB	1,3	\$ 812
LBD6808-1	20 9/16" (522 mm)	39 3/16" (995 mm)	16" (406 mm)	18" (457 mm)	8" (203 mm)	CB	1,3	\$ 954
LBD7508-1	22" (559 mm)	33 1/4" (845 mm)	17" (432 mm)	15" (381 mm)	8" (203 mm)	CB	1,3	\$ 520

## Topmount stainless steel sinks engineered for quick and easy installation

### Factory installed rimseal

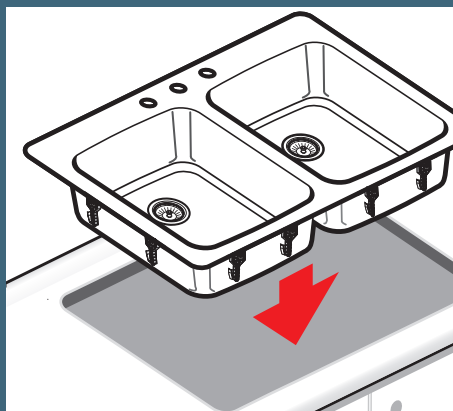
Eliminates the need for silicone



Contractors and installers love the ease of installation of the Franke Rimseal. Simply peel off the backing and the sink is ready to install. No silicone mess.

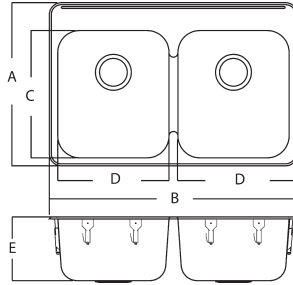
### EZ Torque fasteners

Preinstalled on the sink, drop and drill installation



Secure the sink rim to the countertop in two easy steps. Drop the sink into the countertop then tighten with a drill. Clamps are preinstalled to sink, and won't get lost on the job site or left behind in the box.

# Double bowl topmount with faucet ledge, 18 gauge



Double compartment self rimming topmount sink, 18 gauge (1.2 mm), type 304 (CNS 18/10) stainless steel. #4 satin finished. Some models include two 3 1/2" (89 mm) crumb cup waste assemblies with 1 1/2" (DN38) brass tailpiece. (Quick Ship models noted with ♦ require waste assembly, ordered separately). Factory applied rim seal and factory installed EZ TORQUE™ fasteners.

Certified to ASME A112.19.3/CSA B45.4

Faucet hole options (add to part number when ordering):

- 1 1 hole, centered over partition
- 2 2 hole, 8" spread
- 3 3 hole, 8" spread, centered over partition



MODEL	Overall Dimensions		Sink Compartment Dimensions			WASTE LOCATION	FAUCET HOLE OPTIONS	PRICE
	A FRONT-BACK	B LEFT-RIGHT	C FRONT-BACK	D LEFT-RIGHT	E DEPTH			
• ALBD1305P-1	15 5/16" (389 mm)	29 1/4" (743 mm)	11" (279 mm)	13" (330 mm)	5" (127 mm)	C	1,3	\$ 1,229
LBD1308P-1	15 13/16" (402 mm)	29 1/4" (743 mm)	11" (279 mm)	13" (330 mm)	8" (203 mm)	C	1,3	\$ 1,200
• ALBDC182605P-1	18 1/4" (464 mm)	26 5/8" (677 mm)	16" (406 mm)	14" (356 mm)	6" (153 mm)	CB	2	\$ 996
• ALBD4405P-1	18 13/16" (478 mm)	31 1/4" (794 mm)	14" (356 mm)	14" (356 mm)	5" (127 mm)	CB	1,3	\$ 1,285
• ALBD4406P-1	18 13/16" (478 mm)	31 1/4" (794 mm)	14" (356 mm)	14" (356 mm)	6" (152 mm)	CB	1,3	\$ 1,285
• ALBD193106P-1 ♦	18 13/16" (478 mm)	31 1/4" (794 mm)	14" (356 mm)	14" (356 mm)	6" (152 mm)	CB	1,3	\$ 821
LBD4408P-1	18 13/16" (478 mm)	31 1/4" (794 mm)	14" (356 mm)	14" (356 mm)	8" (203 mm)	CB	1,3	\$ 1,222
LBD193108P-1 ♦	18 13/16" (478 mm)	31 1/4" (794 mm)	14" (356 mm)	14" (356 mm)	8" (203 mm)	CB	1,3	\$ 863
LBD4410P-1	18 13/16" (478 mm)	31 1/4" (794 mm)	14" (356 mm)	14" (356 mm)	10" (254 mm)	CB	1,3	\$ 1,549
• ALBD6405P-1	20 1/2" (521 mm)	31 1/4" (794 mm)	16" (406 mm)	14" (356 mm)	5" (127 mm)	RC	1,3	\$ 1,304
• ALBD6406P-1	20 1/2" (520 mm)	31 1/4" (794 mm)	16" (406 mm)	14" (356 mm)	6" (152 mm)	CB	1,3	\$ 1,304
LBD6408P-1	20 1/2" (520 mm)	31 1/4" (794 mm)	16" (406 mm)	14" (356 mm)	8" (203 mm)	CB	1,3	\$ 1,241
LBD6410PCB-1	20 13/16" (529 mm)	31 1/4" (794 mm)	16" (406 mm)	14" (356 mm)	10" (254 mm)	CB	1,3	\$ 1,549
• ALBD7505P-1	22" (559 mm)	33 1/4" (845 mm)	17" (432 mm)	15" (381 mm)	5" (127 mm)	CB	1,3	\$ 1,307
• ALBD7506P-1	22" (559 mm)	33 1/4" (845 mm)	17" (432 mm)	15" (381 mm)	6" (152 mm)	CB	1,3	\$ 1,307
• ALBD223306P-1 ♦	22" (559 mm)	33 3/8" (848 mm)	17" (432 mm)	15" (381 mm)	6" (152 mm)	CB	1,3	\$ 882
LBD7508P-1	22" (559 mm)	33 1/4" (845 mm)	17" (432 mm)	15" (381 mm)	8" (203 mm)	CB	1,3	\$ 1,247
LBD223308P-1 ♦	22" (559 mm)	33 3/8" (848 mm)	17" (432 mm)	15" (381 mm)	8" (203 mm)	CB	1,3	\$ 921
LBD7510P-1	22" (559 mm)	33 1/4" (845 mm)	17" (432 mm)	15" (381 mm)	10" (254 mm)	CB	1,3	\$ 1,415
LBD7310P-1	22" (559 mm)	49 3/8" (1254 mm)	17" (432 mm)	23" (584 mm)	10" (254 mm)	C	1,3	\$ 2,028
LBD0814P-1	25" (635 mm)	39" (991 mm)	20" (508 mm)	18" (457 mm)	14" (356 mm)	C	1,3	\$ 3,880

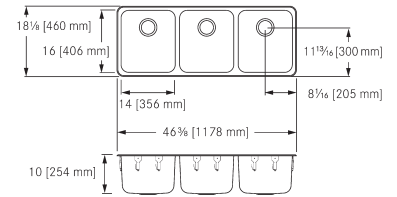
## Triple bowl topmount no faucet ledge



### Triple bowl, no faucet ledge, 18 gauge T6410PCB-1

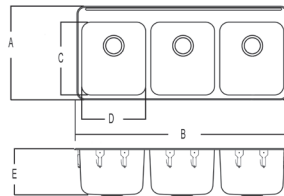
Triple compartment self rimming topmount sink, 18 gauge (1.2 mm), type 304 (CNS 18/10) stainless steel. Polished #4 satin finish. Includes 3 1/2" (89 mm) crumb cup waste assemblies with 1 1/2" (DN38) brass tailpiece. Undercoated to reduce condensation and resonance. Factory applied rim seal and factory installed EZ TORQUE™ fasteners. Certified to ASME A112.19.3/CSA B45.4.

Outside dimensions **18 1/8" x 46 3/8"**  
 Inside bowl **16" x 14" x 10"**  
 Waste location **Center back**



**\$1,836**

## Triple bowl topmount with faucet ledge



Triple compartment self rimming topmount sink. Include 3 1/2" (89 mm) crumb cup waste assemblies with 1 1/2" (DN38) brass tailpiece.

20 gauge sink is (0.9 mm), type 302 (CNS 18/8) stainless steel. 18 gauge sinks are (1.2 mm), type 304 (CNS 18/10) stainless steel. Sinks are #4 satin finished, and undercoated to reduce condensation and resonance. Factory applied rim seal and factory installed EZ TORQUE™ fasteners. Certified to ASME A112.19.3/CSA B45.4

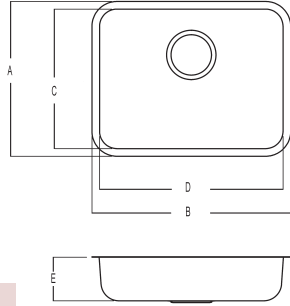
Faucet hole options (add to part number when ordering):

- 1 1 hole
- 3 3 hole, 8" spread



MODEL	Overall Dimensions		Sink Compartment Dimensions			WASTE LOCATION	FAUCET HOLE OPTIONS	PRICE
	A FRONT-BACK	B LEFT-RIGHT	C FRONT-BACK	D LEFT-RIGHT	E DEPTH			
LBT6407CB-1	20 9/16" (522 mm)	46 3/8" (1178 mm)	16" (406 mm)	14" (356 mm)	7" (178 mm)	CB	1,3	\$ 937
LBT6410PCB-1	20 9/16" (522 mm)	46 3/8" (1178 mm)	16" (406 mm)	14" (356 mm)	10" (254 mm)	CB	1,3	\$ 2,225
LBT8610P-1	22 9/16" (573 mm)	52 3/8" (1330 mm)	18" (457 mm)	23" (584 mm)	10" (254 mm)	C	1,3	\$ 2,882

## Single bowl undermount, 18 gauge

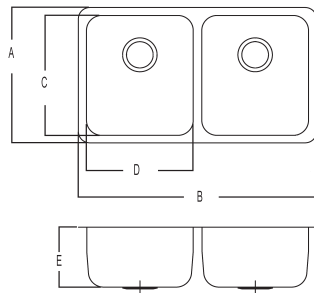


Single compartment undermount sink in 18 gauge (1.2 mm), type 304 (CNS 18/10) stainless steel, #4 satin finished. Undercoated to reduce condensation and resonance. Some models include 3 1/2" (89 mm) crumb cup waste assembly with 1 1/2" (DN38) brass tailpiece. (Quick Ship models noted with ♦ require waste assembly, ordered separately). Template and installation instructions included. Certified to ASME A112.19.3/CSA B45.4.



♿	MODEL	Overall Dimensions		Sink Compartment Dimensions			WASTE LOCATION	GAUGE	PRICE
		A FRONT-BACK	B LEFT-RIGHT	C FRONT-BACK	D LEFT-RIGHT	E DEPTH			
•	UCS141405P-1 ♦	15 3/4" (400 mm)	15 3/4" (400 mm)	14" (356 mm)	14" (356 mm)	5" (127 mm)	CB	18	\$ 387
•	UCS6105P-1	17 3/4" (451 mm)	22 3/4" (346 mm)	16" (406 mm)	21" (533 mm)	5" (127 mm)	CB	18	\$ 602
•	UCS6805P-1	18 1/8" (460 mm)	20 1/8" (511 mm)	16" (406 mm)	18" (457 mm)	5" (127 mm)	CB	18	\$ 544
•	UCS161805P-1 ♦	18 1/8" (460 mm)	20 1/8" (511 mm)	16" (406 mm)	18" (457 mm)	5" (127 mm)	LB	18	\$ 403
	UCS6808P-1	18 1/8" [460 mm]	20" [508 mm]	16" (406 mm)	18" (457 mm)	8" (203 mm)	CB	18	\$ 576

## Double bowl undermount, 18 gauge



Double compartment undermount sink in 18 gauge (1.2 mm), type 304 (CNS 18/10) stainless steel, #4 satin finished. Undercoated to reduce condensation and resonance. Some models include 3 1/2" (89 mm) crumb cup waste assemblies with 1 1/2" (DN38) brass tailpiece. (Quick Ship models noted with ♦ require waste assembly, ordered separately). Template and installation instructions included. Certified to ASME A112.19.3/CSA B45.4.

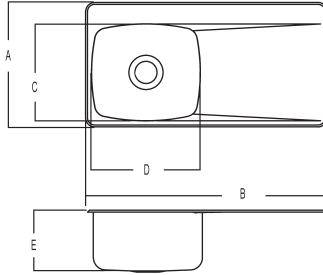
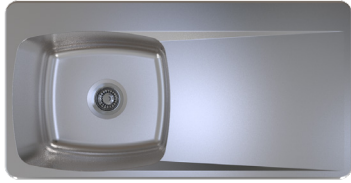


♿	MODEL	Overall Dimensions		Sink Compartment Dimensions			WASTE LOCATION	GAUGE	PRICE
		A FRONT-BACK	B LEFT-RIGHT	C FRONT-BACK	D LEFT-RIGHT	E DEPTH			
•	UCD6405P-1	17 3/4" (451 mm)	30 7/8" (784 mm)	16" (406 mm)	14" (356 mm)	5" (127 mm)	CB	18	\$ 703
	UCD6408P-1	17 3/4" (451 mm)	30 7/8" (784 mm)	16" (406 mm)	14" (356 mm)	8" (203 mm)	CB	18	\$ 736



**Looking for more undermount sinks?  
Franke Commercial no ledge topmount sinks  
can also be undermounted**

## Single bowl topmount drainboard, 18 gauge



Single compartment topmount sink with faucet ledge and drainboard. Drainboard slopes toward bowl. 18 gauge (1.2 mm), type 304 (CNS 18/10) stainless steel. Exposed surfaces are #4 satin finished. Undercoated to reduce condensation and resonance. Includes 3 1/2" (89 mm) crumb cup waste assemblies with 1 1/2" (DN38) brass tailpiece, factory applied rim seal, cutout template, and factory installed EZ TORQUE™ fasteners. Certified to ASME A112.19.3/CSA B45.4.

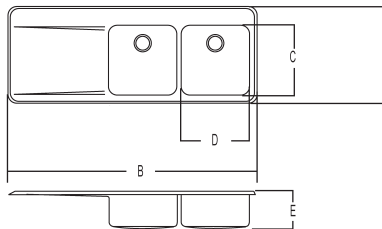


Faucet hole options (add to part number when ordering):

- 1 1 hole, centered
- 3 3 hole, 8" spread

♿	MODEL	Overall Dimensions		Sink Compartment Dimensions			WASTE LOCATION	FAUCET HOLE OPTIONS	PRICE
		A FRONT-BACK	B LEFT-RIGHT	C FRONT-BACK	D LEFT-RIGHT	E DEPTH			
	LBSDBL6408P-1	20 5/8" [524 mm]	36" [914 mm]	16" (406 mm)	14" (356 mm)	8" [203 mm]	CB	1,3	\$ 2,400
	LBSDBR6408P-1	20 5/8" [524 mm]	36" [914 mm]	16" (406 mm)	14" (356 mm)	8" [203 mm]	CB	1,3	\$ 2,400
	LBSDBL6810P-1	20 9/16" [522 mm]	40" [1016 mm]	16" (406 mm)	18" [457 mm]	10" [254 mm]	C	1,3	\$ 2,471
	LBSDBR6810P-1	20 9/16" [522 mm]	40" [1016 mm]	16" (406 mm)	18" [457 mm]	10" [254 mm]	C	1,3	\$ 2,471

## Double bowl topmount drainboard, 18 gauge



Double compartment topmount sink with faucet ledge and drainboard. Drainboard slopes toward bowl. 18 gauge (1.2 mm), type 304 (CNS 18/10) stainless steel, #4 satin finish. Undercoated to reduce condensation and resonance. Includes 3 1/2" (89 mm) crumb cup waste assemblies with 1 1/2" (DN38) brass tailpiece, factory applied rim seal, cutout template, and factory installed EZ TORQUE™ fasteners. Certified to ASME A112.19.3/CSA B45.4.

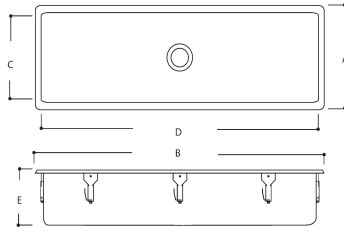


Faucet hole options (add to part number when ordering):

- 1 1 hole, centered
- 3 3 hole, 8" spread

♿	MODEL	Overall Dimensions		Sink Compartment Dimensions			WASTE LOCATION	FAUCET HOLE OPTIONS	PRICE
		A FRONT-BACK	B LEFT-RIGHT	C FRONT-BACK	D LEFT-RIGHT	E DEPTH			
	LBDDBL6408P-1	20 1/2" [521 mm]	51" [1295 mm]	16" (406 mm)	14" (356 mm)	8" [203 mm]	CB	1,3	\$ 3,071
	LBDDBR6408P-1	20 1/2" [521 mm]	51" [1295 mm]	16" (406 mm)	14" (356 mm)	8" [203 mm]	CB	1,3	\$ 3,071

## Art room sinks, topmount, no ledge, 18 gauge



Single compartment self rimming topmount sink in 18 gauge (1.2 mm), type 304 (CNS 18/10) stainless steel, #4 satin finished. Undercoated to reduce condensation and resonance. Factory applied rim seal and factory installed EZ TORQUE™ fasteners. Includes waste assembly. Certified to ASME A112.19.3/CSA B45.4.

Models ending in -1: 3 1/2" stainless steel crumb cup strainer assembly with 1 1/2" tailpiece included.

Models ending in -3C: 1 1/2" stainless steel duplex waste assembly with rubber stopper included.

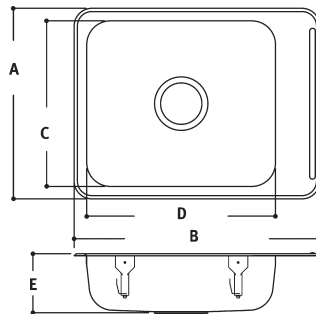


♿	MODEL	Overall Dimensions		Sink Compartment Dimensions			WASTE LOCATION	GAUGE	PRICE
		A FRONT-BACK	B LEFT-RIGHT	C FRONT-BACK	D LEFT-RIGHT	E DEPTH			
	ART36-1	19 1/8" (486 mm)	38 1/8" (969 mm)	17" (432 mm)	36" (914 mm)	8" (203 mm)	C	18	\$ 2,182
	ART36-3C	19 1/8" (486 mm)	38 1/8" (969 mm)	17" (432 mm)	36" (914 mm)	8" (203 mm)	C	18	\$ 2,182
	ART48-1	19 1/8" (486 mm)	50 1/8" (1273 mm)	17" (432 mm)	48" (1219 mm)	8" (203 mm)	C	18	\$ 2,433
	ART48-3C	19 1/8" (486 mm)	50 1/8" (1273 mm)	17" (432 mm)	48" (1219 mm)	8" (203 mm)	C	18	\$ 2,433
	ART60-1	19 1/8" (486 mm)	62 1/8" (1578 mm)	17" (432 mm)	60" (1524 mm)	8" (203 mm)	C	18	\$ 2,595
	ART60-3C	19 1/8" (486 mm)	62 1/8" (1578 mm)	17" (432 mm)	60" (1524 mm)	8" (203 mm)	C	18	\$ 2,595

## Classroom sinks, topmount, various ledge configurations, 18 gauge



RIGHT OR LEFT LEDGE



Single compartment self rimming topmount sink with faucet ledges in 18 gauge (1.2 mm), type 304 (CNS 18/10) stainless steel, #4 satin finished. Undercoated to reduce condensation and resonance. Factory applied rim seal and factory installed EZ TORQUE™ fasteners. Includes a 3 1/2" (89 mm) crumb cup waste assembly with 1 1/2" (DN38) brass tailpiece.

Certified to ASME A112.19.3/CSA B45.4.

**SEE PAGE 69 FOR STANDARD FAUCET HOLE OPTIONS**



LEFT AND RIGHT LEDGES



LEFT, BACK AND RIGHT LEDGES



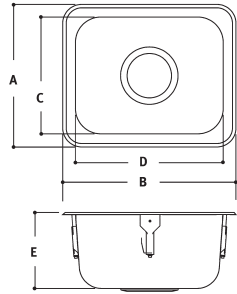
♿	MODEL	Overall Dimensions		Sink Compartment Dimensions			LEDGE LOCATIONS	GAUGE	PRICE
		A FRONT-BACK	B LEFT-RIGHT	C FRONT-BACK	D LEFT-RIGHT	E DEPTH			
	• ALHS4606P-1	16 1/8" (410 mm)	23 1/2" (597 mm)	14" (356 mm)	16" (406 mm)	6" (152 mm)	LEFT AND RIGHT	18	\$ 716
	LHS4608P-1	16 1/8" (410 mm)	23 1/2" (597 mm)	14" (356 mm)	16" (406 mm)	8" (203 mm)	LEFT AND RIGHT	18	\$ 732
	• ALHS7306P-1	19 1/8" (486 mm)	30 1/2" (775 mm)	17" (432 mm)	23" (584 mm)	6" (152 mm)	LEFT AND RIGHT	18	\$ 841
	• ALRS4606P-1	16 1/8" (410 mm)	20 13/16" (529 mm)	14" (356 mm)	16" (406 mm)	6" (152 mm)	LEFT OR RIGHT	18	\$ 694
	• ALBLRS7006P-1	21 13/16" (554 mm)	27 1/2" (699 mm)	17" (432 mm)	20" (508 mm)	6" (152 mm)	LEFT, BACK & RIGHT	18	\$ 897



# Type 316 Stainless Sinks



## Single bowl topmount no faucet ledge Type 316 stainless steel

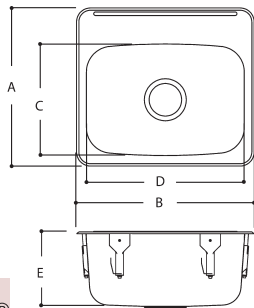


Single compartment self rimming topmount sink without faucet ledge, 18 gauge (1.2 mm), type 316 (EN1.4401 17/12/2) stainless steel, #4 satin finish. Undercoated to reduce condensation and resonance. Factory applied rim seal and factory installed EZ TORQUE™ fasteners. Includes 3 1/2" (89 mm) type 316 crumb cup waste assembly. Certified to ASME A112.19.3-2008 / CSA B45.4-08.



♿	MODEL	Overall Dimensions		Sink Compartment Dimensions			WASTE LOCATION	GAUGE	PRICE
		A FRONT-BACK	B LEFT-RIGHT	C FRONT-BACK	D LEFT-RIGHT	E DEPTH			
	S9407-316P-1	115/8" (295 mm)	16 5/8" (422 mm)	9 1/2" (241 mm)	14 1/2" (368 mm)	7" (178 mm)	C	18	\$ 576
	S6407-316P-1	18 1/8" (460 mm)	16 1/8" (410 mm)	16" (406 mm)	14" (356 mm)	7" (178 mm)	CB	18	\$ 894
	S6808-316P-1	18 1/8" (460 mm)	20 1/8" (511 mm)	16" (406 mm)	18" (457 mm)	8" (203 mm)	CB	18	\$ 896
	S6810-316P-1	18 1/8" (460 mm)	20 1/8" (511 mm)	16" (406 mm)	18" (457 mm)	10" (254 mm)	C	18	\$ 1,136

## Single bowl topmount with faucet ledge Type 316 stainless steel



Single compartment self rimming topmount sink with faucet ledge, 18 gauge (1.2 mm), type 316 (EN1.4401 17/12/2) stainless steel, #4 satin finish. Undercoated to reduce condensation and resonance. Factory applied rim seal and factory installed EZ TORQUE™ fasteners. Includes type 316 waste assembly. Certified to ASME A112.19.3-2008 / CSA B45.4-08

Faucet hole options (add to part number when ordering):

- 1 1 hole, centered
- 2 2 hole, 8" spread
- 3 3 hole, 8" spread, centered



♿	MODEL	Overall Dimensions		Sink Compartment Dimensions			WASTE LOCATION	FAUCET HOLE OPTIONS	PRICE
		A FRONT-BACK	B LEFT-RIGHT	C FRONT-BACK	D LEFT-RIGHT	E DEPTH			
	LBS9407-316P-1	14 5/16" (364 mm)	16 5/8" (422 mm)	9 1/2" (241 mm)	14 1/2" (368 mm)	7" (178 mm)	C	1,2	\$ 673
	LBS9407-316P-3	14 5/16" (364 mm)	16 5/8" (422 mm)	9 1/2" (241 mm)	14 1/2" (368 mm)	7" (178 mm)	C	1,2	\$ 673
	LBS4607-316P-1	18 13/16" (478 mm)	18 1/8" (460 mm)	14" (356 mm)	16" (406 mm)	7" (178 mm)	C	1,3	\$ 835
	LBS4610-316P-1	18 13/16" (478 mm)	18 1/8" (460 mm)	14" (356 mm)	16" (406 mm)	10" (254 mm)	C	1,3	\$ 1,014
	LBS6407-316P-1	20 9/16" (522 mm)	16 1/8" (410 mm)	16" (406 mm)	14" (356 mm)	7" (178 mm)	CB	1,3	\$ 912
	• ALBS6805-316P-1	20 9/16" (522 mm)	20 1/8" (511 mm)	16" (406 mm)	18" (457 mm)	5" (127 mm)	LB	1,3	\$ 594
	LBS6807-316P-1	20 9/16" (522 mm)	20" (508 mm)	16" (406 mm)	18" (457 mm)	7" (178 mm)	CB	1,3	\$ 928
	LBS6808-316P-1	20 9/16" (522 mm)	20" (508 mm)	16" (406 mm)	18" (457 mm)	8" (203 mm)	CB	1,3	\$ 1,023
	LBS6810-316P-1	20 9/16" (522 mm)	20 1/8" (511 mm)	16" (406 mm)	18" (457 mm)	10" (254 mm)	CB	1,3	\$ 1,081
	LBS6810-316P-3	20 9/16" (522 mm)	20 1/8" (511 mm)	16" (406 mm)	18" (457 mm)	10" (254 mm)	LB	1,3	\$ 1,081

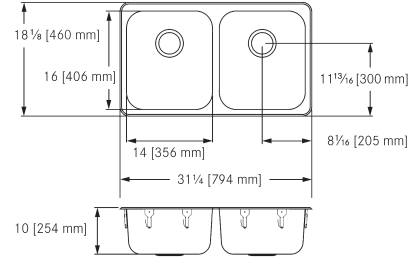
**Models ending in -1:** 3 1/2" type 316 stainless steel crumb cup strainer assembly with 1 1/2" tailpiece included  
**Models ending in -3:** 1 1/2" type 316 stainless steel duplex waste assembly with rubber stopper included

# Double bowl topmount Type 316 stainless steel



**Double bowl no faucet ledge, T316  
D6410-316PCB-1**

Gauge **18**  
**TYPE 316** Stainless Steel  
 Outside dimensions **18 1/8 x 31 1/4"**  
 Inside bowl **16 x 14 x 8"**  
 Waste location **Center back**  
 3 1/2" (89 mm) type 316 crumb cup  
 waste assemblies included

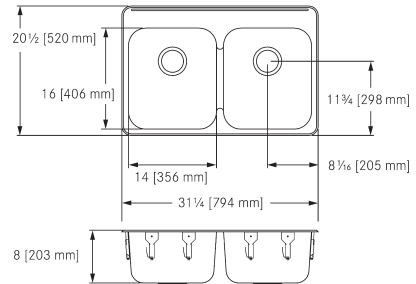


**\$1,740**



**Double bowl with faucet ledge, T316  
LBD6408-316P-1**

Gauge **18**  
**TYPE 316** Stainless Steel  
 Outside dimensions **20 1/2 x 31 1/4"**  
 Inside bowl **16 x 14 x 8"**  
 Waste location **Center back**  
 3 1/2" (89 mm) type 316 crumb cup  
 waste assemblies included

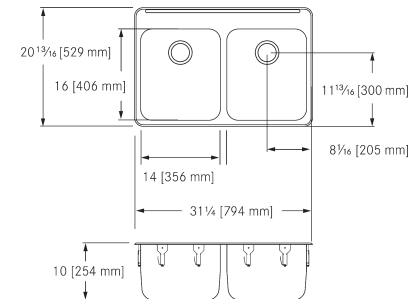


**\$1,561**



**Double bowl with faucet ledge, T316  
LBD6410-316PCB-1**

Gauge **18**  
**TYPE 316** Stainless Steel  
 Outside dimensions **20 1/2 x 31 1/4"**  
 Inside bowl **16 x 14 x 10"**  
 Waste location **Center back**  
 3 1/2" (89 mm) type 316 crumb cup  
 waste assemblies included



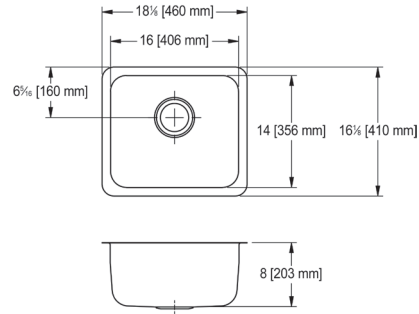
**\$1,856**



## Undermount Type 316 stainless steel



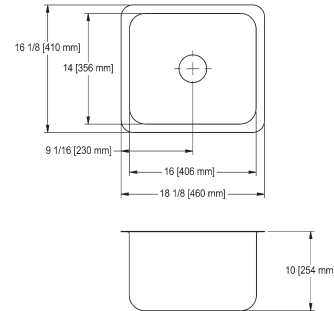
**Single bowl undermount**  
**UCS4608-316P-1**  
 Gauge 18  
**TYPE 316** Stainless Steel  
 Outside dimensions **16 1/8 x 18 1/8"**  
 Inside bowl **14 x 16 x 8"**  
 Waste location **Center**  
 3 1/2" (89 mm) type 316 crumb cup  
 waste assembly included



**\$ 835**



**Single bowl undermount, T316**  
**UCS4610-316P-1**  
 Gauge 18  
**TYPE 316** Stainless Steel  
 Outside dimensions **16 1/8 x 18 1/8"**  
 Inside bowl **14 x 16 x 10"**  
 Waste location **Center**  
 3 1/2" (89 mm) type 316 crumb cup  
 waste assembly included

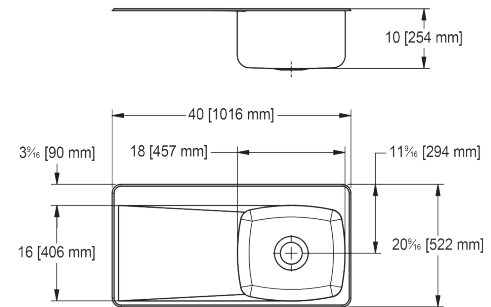


**\$ 1,043**

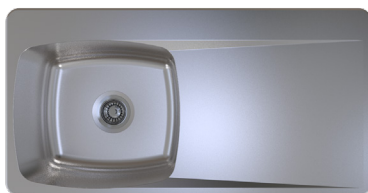
## Single bowl topmount drainboard, type 316



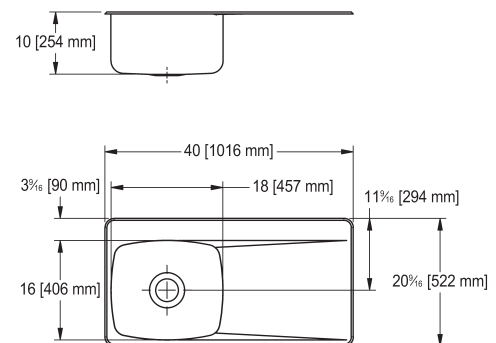
**Drainboard left, T316**  
**LBSDBL6810-316P-1**  
 Gauge 18  
**TYPE 316** Stainless Steel  
 Outside dimensions **20 9/16 x 40"**  
 Inside bowl **16 x 18 x 10"**  
 Waste location **Center**  
 3 1/2" (89 mm) type 316 crumb cup  
 waste assembly included



**\$ 3,325**

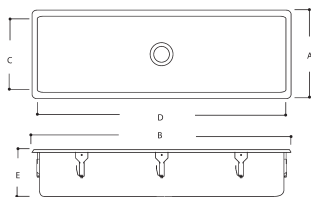


**Drainboard right, T316**  
**LBSDBR6810-316P-1**  
 Gauge 18  
**TYPE 316** Stainless Steel  
 Outside dimensions **20 9/16 x 40"**  
 Inside bowl **16 x 18 x 10"**  
 Waste location **Center**  
 3 1/2" (89 mm) type 316 crumb cup  
 waste assembly included



**\$ 3,325**

## Art room sinks, topmount, no ledge, type 316



Single compartment self rimming topmount sink, 18 gauge (1.2 mm), type 316 (EN1.4401 17/12/2) stainless steel, #4 satin finish. Undercoated to reduce condensation and resonance. Factory applied rim seal and factory installed EZ TORQUE™ fasteners. Includes type 316 waste assembly. Certified to ASME A112.19.3-2008 / CSA B45.4-08.

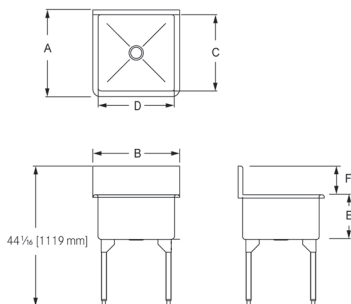
Models ending in -1: 3 1/2" type 316 stainless steel crumb cup strainer assembly with 1 1/2" tailpiece included.

Models ending in -3C: 1 1/2" type 316 stainless steel duplex waste assembly with rubber stopper included.



MODEL	Overall Dimensions		Sink Compartment Dimensions			WASTE LOCATION	GAUGE	PRICE
	A FRONT-BACK	B LEFT-RIGHT	C FRONT-BACK	D LEFT-RIGHT	E DEPTH			
ART36-316-1	19 1/8" (486 mm)	38 1/8" (969 mm)	17" (432 mm)	36" (914 mm)	8" (203 mm)	C	18	\$ 2,841
ART36-316-3C	19 1/8" (486 mm)	38 1/8" (969 mm)	17" (432 mm)	36" (914 mm)	8" (203 mm)	C	18	\$ 2,841
ART48-316-1	19 1/8" (486 mm)	50 1/8" (1273 mm)	17" (432 mm)	48" (1219 mm)	8" (203 mm)	C	18	\$ 3,120
ART48-316-3C	19 1/8" (486 mm)	50 1/8" (1273 mm)	17" (432 mm)	48" (1219 mm)	8" (203 mm)	C	18	\$ 3,120
ART60-316-1	19 1/8" (486 mm)	62 1/8" (1578 mm)	17" (432 mm)	60" (1524 mm)	8" (203 mm)	C	18	\$ 3,396
ART60-316-3C	19 1/8" (486 mm)	62 1/8" (1578 mm)	17" (432 mm)	60" (1524 mm)	8" (203 mm)	C	18	\$ 3,396

## Scullery sink, 16 gauge, type 316



Single bowl scullery sink, 16 gauge (1.5 mm), type 316 (EN1.4401 17/12/2) stainless steel, #4 satin finish. Sink compartment sloped to drain. Radius coved corners front and back only. Floor to rim height is 35" (890 mm). Stainless steel tubular legs with adjustable feet. Includes waste assembly in type 316 stainless steel. Certified to ASME A112.19.3-2008 / CSA B45.4-08.

Models ending in -1: 3 1/2" type 316 stainless steel crumb cup strainer assembly with 1 1/2" tailpiece included.

Models ending in -5: 1 1/2" type 316 stainless steel duplex waste assembly with rubber stopper included, 1 1/2" (DN38) tailpiece, standpipe, and guard.

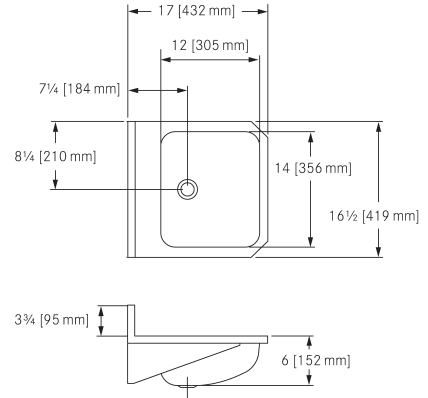


MODEL	Overall Dimensions		Sink Compartment Dimensions				WASTE LOCATION	GAUGE	PRICE
	A FRONT-BACK	B LEFT-RIGHT	C FRONT-BACK	D LEFT-RIGHT	E DEPTH	F BACKSPASH			
SL2424-316-1	27 3/16" (691 mm)	27 3/16" (691 mm)	24" (610 mm)	24" (610 mm)	14" (356 mm)	9" (229 mm)	C	16	\$ 5,116
SL2424-316-5	27 3/16" (691 mm)	27 3/16" (691 mm)	24" (610 mm)	24" (610 mm)	14" (356 mm)	9" (229 mm)	RR	16	\$ 5,392
SL2448-316-1	27 3/16" (691 mm)	51 3/8" (1305 mm)	24" (610 mm)	48" (1219 mm)	14" (356 mm)	9" (229 mm)	C	16	\$ 7,743
SL2448-316-5	27 3/16" (691 mm)	51 3/8" (1305 mm)	24" (610 mm)	48" (1219 mm)	14" (356 mm)	9" (229 mm)	RR	16	\$ 8,434

# Type 316 stainless steel sinks



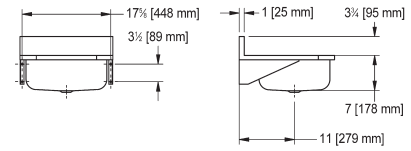
**Wall mount sink, 6" deep, T316**  
**WHB1617-316-3**  
 Gauge **18**  
**TYPE 316** Stainless Steel  
 Outside dimensions **16 1/2 x 17"**  
 Inside bowl **14 x 12 x 6"**  
**Waste fitting** type 316, 1 1/2" duplex  
 waste assembly with rubber stopper  
 included  
 Waste location **Center back**



**\$ 1,300**



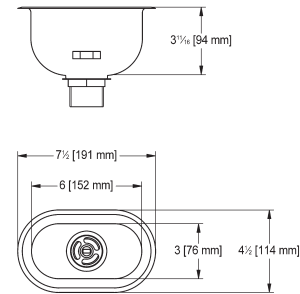
**Wall mount sink, 7" deep, T316**  
**WHB1819-316-3**  
 Gauge **18**  
**TYPE 316** Stainless Steel  
 Outside dimensions **18 1/2 x 19"**  
 Inside bowl **16 x 14 x 7"**  
**Waste fitting** type 316, 1 1/2" duplex  
 waste assembly with rubber stopper  
 included  
 Waste location **Center**



**\$ 1,443**



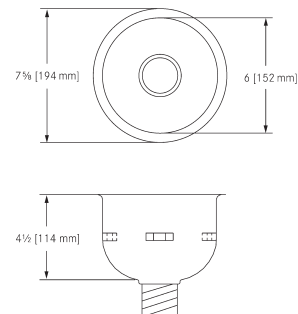
**Cup sink, oval, T316**  
**OC6-316**  
 Gauge **20**  
**TYPE 316** Stainless Steel  
 Outside dimensions **7 1/2 x 4 1/2"**  
 Inside bowl **6 x 3 x 3 11/16"**  
**Waste fitting** Integral type 316, 1 1/2"  
 duplex waste assembly included  
 Waste location **Center**



**\$ 436**



**Cup sink, round, T316**  
**RC6-316**  
 Gauge **20**  
**TYPE 316** Stainless Steel  
 Outside dimensions **7 5/8 x 7 5/8"**  
 Inside bowl **6 x 6 x 4 1/2"**  
**Waste fitting** Integral type 316, 1 1/2"  
 duplex waste assembly included  
 Waste location **Center**

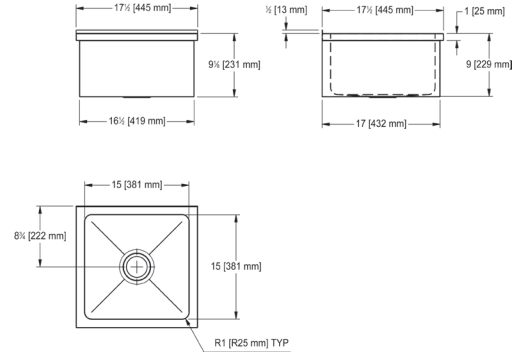


**\$ 573**

# Mop Sinks, Type 316



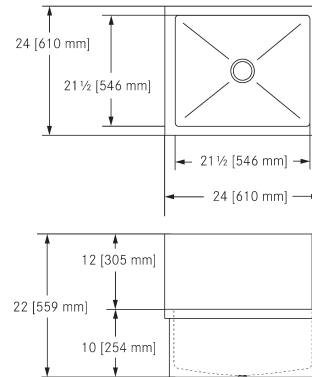
**Single wall installation, T316**  
**FSS151509-316-1**  
 Gauge 16  
**TYPE 316** Stainless Steel  
 Outside dimensions **17 1/2 x 17 1/2"**  
 Inside bowl **15 x 15 x 9 1/8"**  
**Waste fitting 2" IPS grid shower drain**  
 included  
 Waste location **Center**



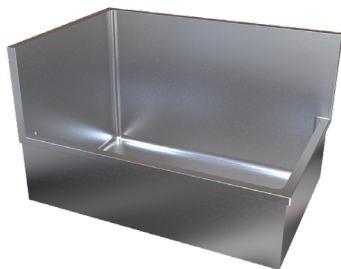
**\$ 3,957**



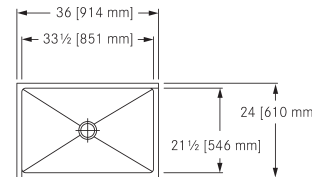
**Corner installation, T316**  
**FSS222210-316-1**  
 Gauge 16  
**TYPE 316** Stainless Steel  
 Outside dimensions **24 x 24"**  
 Inside bowl **21 1/2 x 21 1/2 x 10"**  
**Waste fitting 2" IPS grid shower drain**  
 included  
 Waste location **Center**



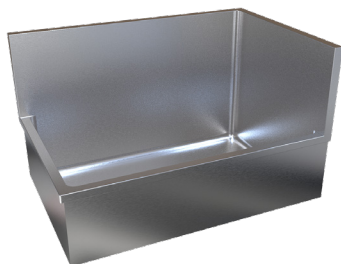
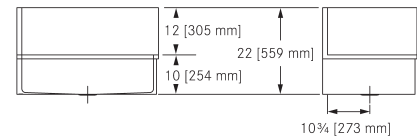
**\$ 5,386**



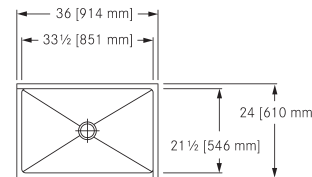
**Corner installation, T316**  
**FSSL223410-316-1**  
 Gauge 16  
**TYPE 316** Stainless Steel  
 Side splash on left  
 Outside dimensions **24 x 36"**  
 Inside bowl **21 1/2 x 33 1/2 x 10"**  
**Waste fitting 2" IPS grid shower drain**  
 included  
 Waste location **Center**



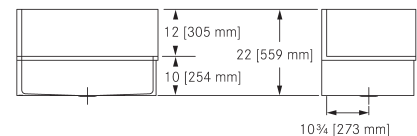
**\$ 6,882**



**Corner installation, T316**  
**FSSR223410-316-1**  
 Gauge 16  
**TYPE 316** Stainless Steel  
 Side splash on right  
 Outside dimensions **24 x 36"**  
 Inside bowl **21 1/2 x 33 1/2 x 10"**  
**Waste fitting 2" IPS grid shower drain**  
 included  
 Waste location **Center**



**\$ 6,882**

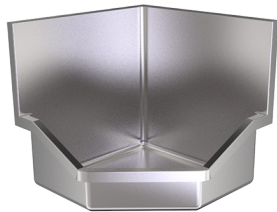
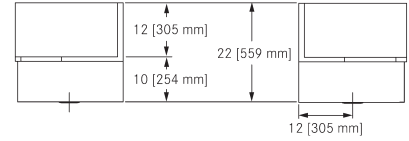
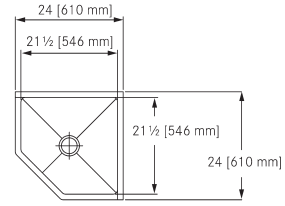


# Mop Sinks, Type 316



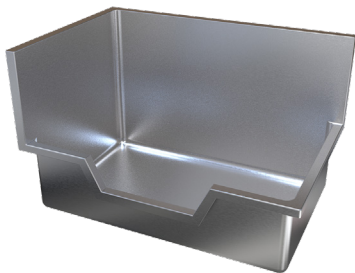
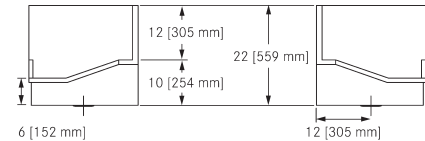
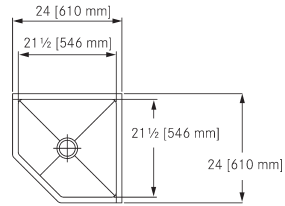
**Corner installation, T316**  
**FSS2210-316-1**  
 Gauge 16  
**TYPE 316** Stainless Steel  
 Outside dimensions **24 x 24"**  
 Inside bowl **21 1/2 x 21 1/2 x 10"**  
**Waste fitting** 2" IPS grid shower drain included  
 Waste location **Center**

**\$ 7,898**



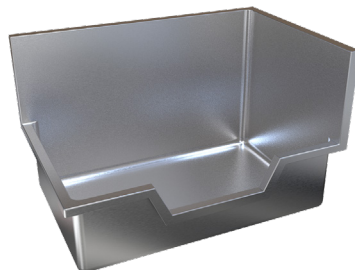
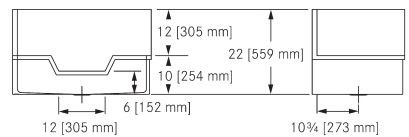
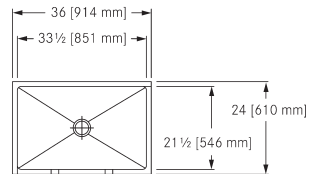
**Corner installation, low front, T316**  
**FSSO2210-316-1**  
 Gauge 16  
**TYPE 316** Stainless Steel  
 Outside dimensions **24 x 24"**  
 Inside bowl **21 1/2 x 21 1/2 x 6"**  
**Waste fitting** 2" IPS grid shower drain included  
 Waste location **Center**

**\$ 7,898**



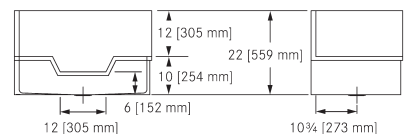
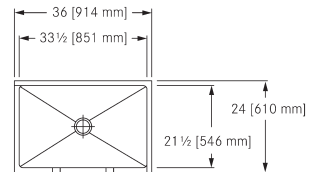
**Low front, T316**  
**FSSOL223410-316-1**  
 Gauge 16  
**TYPE 316** Stainless Steel  
 Side splash on left  
 Outside dimensions **24 x 36"**  
 Inside bowl **21 1/2 x 33 1/2 x 6"**  
**Waste fitting** 2" IPS grid shower drain included  
 Waste location **Center**

**\$ 8,102**



**Low front, T316**  
**FSSOR223410-316-1**  
 Gauge 16  
**TYPE 316** Stainless Steel  
 Side splash on right  
 Outside dimensions **24 x 36"**  
 Inside bowl **21 1/2 x 33 1/2 x 6"**  
**Waste fitting** 2" IPS grid shower drain included  
 Waste location **Center**

**\$ 8,102**





# Pet wash stations



Pictured left to right: WTS60-1 trough sink, FSSOL223410-316-1 and FSSOR223410-316-1 mop sinks

## Dog washing stations: a must in multifamily developments

### Renters are living for their pets

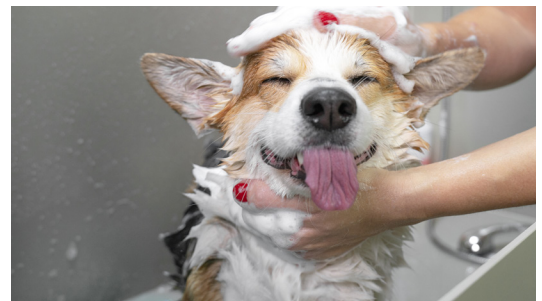
Pet ownership in the US increased throughout the pandemic and remains at very high levels. Over 60% of households own at least one dog or cat, and that includes apartment and condo dwellers.

### Make space for pets in your floor plan

Most renters consider pet-friendly policies when choosing a place to live. A dog washing room on the main floor provides an accessible space for pet owners to clean off dirty paws or give their furbabies a full bath.

### Options for dogs big and small

Floor-mounted sinks allow large dogs to step into without the need for lifting or guiding onto a ramp. A wall-mounted trough is perfect for smaller dogs to be placed for washing at a comfortable height. High backsplashes help keep the mess contained.

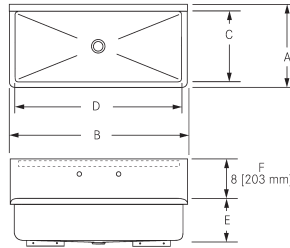


# Utility & Scullery



25	Wall trough utility sinks
26	Sewage sampling
28	Scullery sinks, Classic
30	Scullery sinks, Service
33	Scullery sinks, Restaurant
36	Scullery sinks, World Class
39	Mop sinks

## Wall trough utility sink, 16 gauge

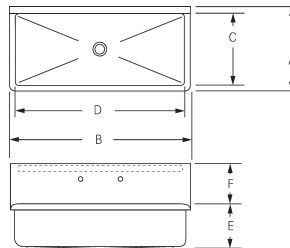


Single compartment wall trough, 16 gauge (1.5 mm), Type 304 (CNS 18/10) stainless steel, #4 satin finish. Radius covered bowl corners, rolled radius rim. Center waste location. 3 1/2" (89 mm) waste fitting with crumb cup strainer included. Certified to ASME A112.19.3-2008 / CSA B45.4-08.



MODEL	Overall Dimensions		Sink Compartment Dimensions				GAUGE	PRICE
	A FRONT-BACK	B LEFT-RIGHT	C FRONT-BACK	D LEFT-RIGHT	E DEPTH	F BACKSPLASH		
WTS36-1	18" (457 mm)	36" (914 mm)	14 3/4" (375 mm)	33 1/2" (851 mm)	8" (203 mm)	8" (203 mm)	16	\$ 3,719
WTS48-1	18" (457 mm)	48" (1219 mm)	14 3/4" (375 mm)	44 1/2" (1130 mm)	8" (203 mm)	8" (203 mm)	16	\$ 3,859
WTS60-1	18" (457 mm)	60" (1524 mm)	14 3/4" (375 mm)	56 1/2" (1435 mm)	8" (203 mm)	8" (203 mm)	16	\$ 4,093
WTS72-1	18" (457 mm)	72" (1829 mm)	14 3/4" (375 mm)	68 1/2" (1740 mm)	8" (203 mm)	8" (203 mm)	16	\$ 4,297

## Wall trough utility sink, 14 gauge



Single compartment wall trough, 14 gauge (2.0 mm), Type 304 (CNS 18/10) stainless steel, #4 satin finish. Radius covered bowl corners, rolled radius rim. Center waste location. 3 1/2" (89 mm) waste fitting with crumb cup strainer included. Certified to ASME A112.19.3-2008 / CSA B45.4-08.



MODEL	Overall Dimensions		Sink Compartment Dimensions				GAUGE	PRICE
	A FRONT-BACK	B LEFT-RIGHT	C FRONT-BACK	D LEFT-RIGHT	E DEPTH	F BACKSPLASH		
WTS2025-1	20" (508 mm)	25" (635 mm)	16 1/2" (419 mm)	22" (559 mm)	10 1/2" (267 mm)	6" (152 mm)	14	\$ 3,166
WTS2031-1	20" (508 mm)	31" (787 mm)	16 1/2" (419 mm)	28" (711 mm)	10 1/2" (267 mm)	6" (152 mm)	14	\$ 3,325
WTS2036-1	20" (508 mm)	36" (914 mm)	16 1/2" (419 mm)	33" (838 mm)	8" (203 mm)	10" (254 mm)	14	\$ 4,092
WTS2048-1	20" (508 mm)	48" (1219 mm)	16 1/2" (419 mm)	45" (1143 mm)	8" (203 mm)	10" (254 mm)	14	\$ 4,244
WTS2060-1	20" (508 mm)	60" (1524 mm)	16 1/2" (419 mm)	57" (1448 mm)	8" (203 mm)	10" (254 mm)	14	\$ 4,503
WTS2072-1	20" (508 mm)	72" (1829 mm)	16 1/2" (419 mm)	69" (1753 mm)	8" (203 mm)	10" (254 mm)	14	\$ 4,726
WTS2096-1	20" (508 mm)	96" (2438 mm)	16 1/2" (419 mm)	93" (2362 mm)	8" (203 mm)	10" (254 mm)	14	\$ 5,118

# Sewage sampling sinks



## Sewage sampling sink, single bowl no drainboard SSS1827

Single compartment sewage sampling sink. 14 gauge (2.0 mm), type 304 (CNS 18/10) stainless steel. Polished #4 satin finish. Radius coved bowl corners.

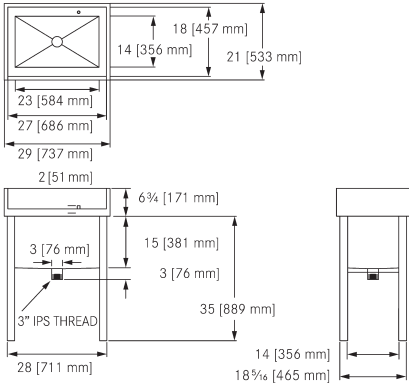
Anti-splash rim. Stainless steel <sup>3</sup>/<sub>4</sub>" (19 mm) O.D. flushing tube with <sup>1</sup>/<sub>2</sub>" (13 mm) NPS connection. 3" x 3" (76 x 76 mm) threaded waste outlet.

Certified to ASME A112.19.3 / CSA B45.4.

Please allow 8 weeks for delivery.

Inside bowl **14 x 18 x 15"**

**\$ 12,098**



## Sewage sampling sink, single bowl, left drainboard SSS1827SDSL

Single compartment sewage sampling sink left drainboard. 14 gauge (2.0 mm), type 304 (CNS 18/10) stainless steel. Polished #4 satin finish. Radius coved bowl corners.

Anti-splash rim. Stainless steel <sup>3</sup>/<sub>4</sub>" (19 mm) O.D. flushing tube with <sup>1</sup>/<sub>2</sub>" (13 mm) NPS connection. 3 x 3" (76 x 76 mm) threaded waste outlet.

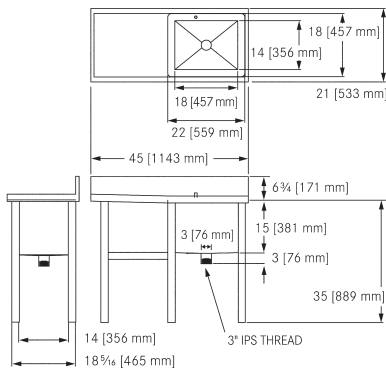
Certified to ASME A112.19.3 / CSA B45.4.

Please allow 8 weeks for delivery.

Left drainboard.

Inside bowl **14 x 18 x 15"**

**\$ 13,001**



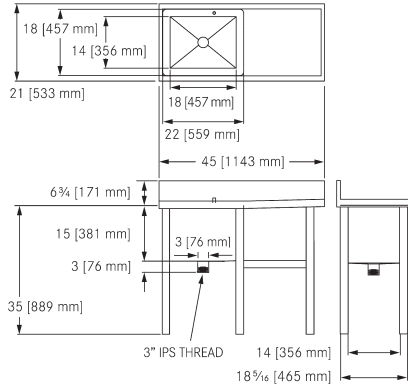
# Sewage sampling sinks



## Sewage sampling sink, single bowl, right drainboard SSS1827SDSR

Single compartment sewage sampling sink right drainboard. 14 gauge (2.0 mm), type 304 (CNS 18/10) stainless steel. Polished #4 satin finish. Radius coved bowl corners. Anti-splash rim. Stainless steel  $\frac{3}{4}$ " (19 mm) O.D. flushing tube with  $\frac{1}{2}$ " (13 mm) NPS connection. 3" x 3" (76 x 76 mm) threaded waste outlet. Certified to ASME A112.19.3 / CSA B45.4. Please allow 8 weeks for delivery. Right drainboard. Inside bowl **14 x 18 x 15"**

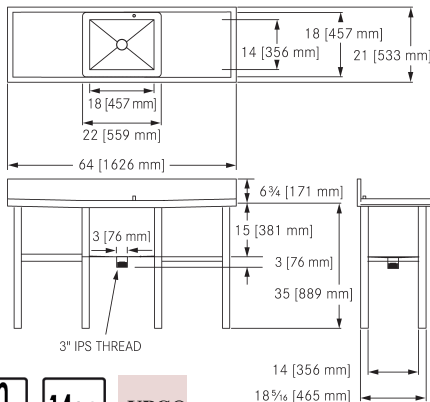
**\$ 13,001**



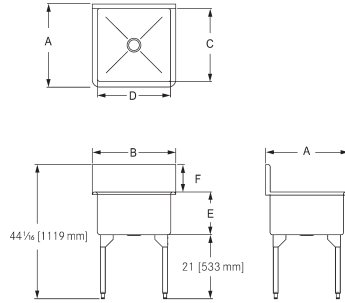
## Sewage sampling sink, left and right drainboards SSS1827DDS

Single compartment sewage sampling sink left and right drainboard. 14 gauge (2.0 mm), type 304 (CNS 18/10) stainless steel. Polished #4 satin finish. Radius coved bowl corners. Anti-splash rim. Stainless steel  $\frac{3}{4}$ " (19 mm) O.D. flushing tube with  $\frac{1}{2}$ " (13 mm) NPS connection. 3" x 3" (76 x 76 mm) threaded waste outlet. Certified to ASME A112.19.3 / CSA B45.4. Please allow 8 weeks for delivery. Double drainboards. Inside bowl **14 x 18 x 15"**

**\$ 16,068**



## Scullery sinks, Classic series



Single bowl scullery sink, 16 gauge (1.5 mm), Type 304 (CNS 18/10) stainless steel, #4 satin finish. Sink compartment sloped to drain, radius coved corners front and back only. Floor to rim height 35" (890 mm). Stainless steel tubular legs with adjustable feet. Includes waste assembly.

Standard faucet hole option: 2 hole, 1 1/4" (32 mm) diameter, 8" (203 mm) centerset, positioned 4" (102 mm) below top of backsplash. Custom faucet hole drillings are available on all models.

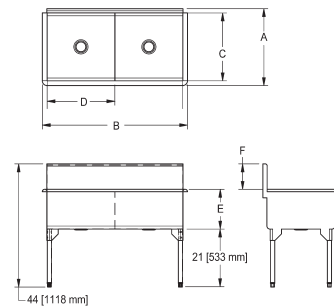
Certified to ASME A112.19.3-2008 / CSA B45.4-08.

Models ending in -1: 3 1/2" crumb cup strainer assembly with 1 1/2" brass tailpiece included.

Models ending in -5: 1 1/2" duplex waste assembly with rubber stopper, 1 1/2" (DN38) brass tailpiece, standpipe, and guard included.



MODEL	Overall Dimensions		Sink Compartment Dimensions				WASTE LOCATION	GAUGE	PRICE
	A FRONT-BACK	B LEFT-RIGHT	C FRONT-BACK	D LEFT-RIGHT	E DEPTH	F BACKSPLASH			
SL2424-1	27 3/16" (691 mm)	27 3/16" (691 mm)	24" (610 mm)	24" (610 mm)	14" (356 mm)	9" (229 mm)	C	16	\$ 1,378
SL2424-5	27 3/16" (691 mm)	27 3/16" (691 mm)	24" (610 mm)	24" (610 mm)	14" (356 mm)	9" (229 mm)	RR	16	\$ 1,504
SL2448-1	27 3/16" (691 mm)	51 3/8" (1305 mm)	24" (610 mm)	48" (1219 mm)	14" (356 mm)	9" (229 mm)	C	16	\$ 2,131
SL2448-5	27 3/16" (691 mm)	51 3/8" (1305 mm)	24" (610 mm)	48" (1219 mm)	14" (356 mm)	9" (229 mm)	RR	16	\$ 2,256



Double bowl scullery sink, 16 gauge (1.5 mm), Type 304 (CNS 18/10) stainless steel, #4 satin finish. Sink compartment sloped to drain, radius coved corners front and back only. Floor to rim height 35" (890 mm). Stainless steel tubular legs with adjustable feet. Includes waste assemblies.

Standard faucet hole option: 2 hole, 8" (203 mm) centerset, positioned 4" (102 mm) below top of backsplash. Custom faucet hole drillings are available on all models.

Certified to ASME A112.19.3-2008 / CSA B45.4-08.

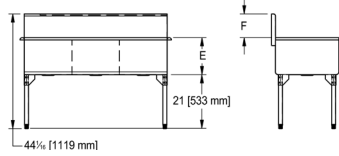
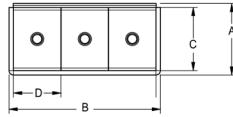
Models ending in -1: 3 1/2" crumb cup strainer assembly with 1 1/2" brass tailpiece included.

Models ending in -5: 1 1/2" duplex waste assembly with rubber stopper, 1 1/2" (DN38) brass tailpiece, standpipe, and guard included.



MODEL	Overall Dimensions		Sink Compartment Dimensions				WASTE LOCATION	GAUGE	PRICE
	A FRONT-BACK	B LEFT-RIGHT	C FRONT-BACK	D LEFT-RIGHT	E DEPTH	F BACKSPLASH			
DL2448-1	27 3/16" (691 mm)	51 3/8" (1305 mm)	24" (610 mm)	24" (610 mm)	14" (356 mm)	9" (229 mm)	C	16	\$ 2,131
DL2448-5	27 3/16" (691 mm)	51 3/8" (1305 mm)	24" (610 mm)	24" (610 mm)	14" (356 mm)	9" (229 mm)	RR, LR	16	\$ 2,256

# Scullery sinks, Classic series



Triple bowl scullery sink, 16 gauge (1.5 mm), Type 304 (CNS 18/10) stainless steel, #4 satin finish. Sink compartment sloped to drain, radius coved corners front and back only. Floor to rim height 35" (890 mm). Stainless steel tubular legs with adjustable feet. Includes waste assemblies.

Standard faucet hole option: 2 hole, 8" (203 mm) centerset, positioned 4" (102 mm) below top of backsplash. Custom faucet hole drillings are available on all models. Certified to ASME A112.19.3-2008 / CSA B45.4-08

Models ending in -1: 3 1/2" crumb cup strainer assembly with 1 1/2" brass tailpiece included.

Models ending in -5: 1 1/2" duplex waste assembly with rubber stopper, 1 1/2" (DN38) brass tailpiece, standpipe, and guard included.

MODEL	Overall Dimensions		Sink Compartment Dimensions				WASTE LOCATION	GAUGE	PRICE
	A FRONT-BACK	B LEFT-RIGHT	C FRONT-BACK	D LEFT-RIGHT	E DEPTH	F BACKSPLASH			
TL2454-1	27 3/16" (691 mm)	57 3/8" (1457 mm)	24" (610 mm)	18" (457 mm)	14" (356 mm)	9" (229 mm)	C	16	\$ 3,134
TL2454-5	27 3/16" (691 mm)	57 3/8" (1457 mm)	24" (610 mm)	18" (457 mm)	14" (356 mm)	9" (229 mm)	RR, RR, LR	16	\$ 3,258
TL2472-1	27 3/16" (691 mm)	75 3/8" (1915 mm)	24" (610 mm)	24" (610 mm)	14" (356 mm)	9" (229 mm)	C	16	\$ 3,885
TL2472-5	27 3/16" (691 mm)	75 3/8" (1915 mm)	24" (610 mm)	24" (610 mm)	14" (356 mm)	9" (229 mm)	RR, RR, LR	16	\$ 4,011



## Removable drainboard for Classic series scullery sinks CL-DB

Removable drainboard for Classic series scullery sinks.

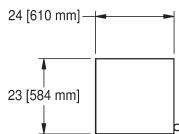
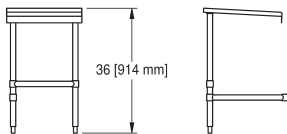
16 gauge (1.5 mm) type 304 stainless steel. Polished to a satin finish.

The legs have adjustable feet and are interchangeable such that the product can be installed on either the left or right of the scullery.

Outside dimensions **23 x 24 x 36"**

Install on **left or right**

**\$ 985**



## Scullery sinks, Service series, single compartment



Single bowl scullery sink with square bowl corners. 14 gauge (2.0 mm), Type 304 (CNS 18/10) stainless steel, #4 satin finish. Sink compartment sloped to center drain, radius coved corners front and back only. Finished with rolled rim. Floor to rim height on all models is 35" (890 mm). Stainless steel tubular legs with adjustable feet.

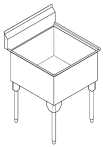
Includes 3 1/2" (89 mm) crumb cup waste assembly with 1 1/2" (DN38) brass tailpiece. Drainboard has same dimensions as sink compartment: 24" x 18" (610 x 457 mm) or 24" x 24" (610 x 610 mm).

Standard faucet hole option: 2 hole, 1 1/4" (32 mm) diameter, 8" (203 mm) centerset, positioned 4" (102 mm) below top of backsplash. Custom faucet hole drillings are available on all models. Please allow 8 weeks for delivery, these models are built to order and non-returnable.

Certified to ASME A112.19.3-2008 / CSA B45.4-08.

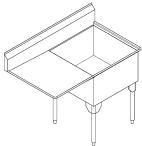


### Single compartment without drainboard



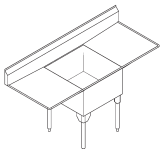
	Overall Dimensions		Sink Compartment Dimensions				D.BOARD LOCATION	GAUGE	PRICE
	FRONT-BACK	LEFT-RIGHT	FRONT-BACK	LEFT-RIGHT	DEPTH	BACKSPLASH			
SSL2418-1	30 1/2" (775 mm)	22 1/4" (565 mm)	24" (610 mm)	18" (457 mm)	14" (356 mm)	9" (229 mm)	-	14	\$ 3,946
SSL2424-1	30 1/2" (775 mm)	28 1/4" (718 mm)	24" (610 mm)	24" (610 mm)	14" (356 mm)	9" (229 mm)	-	14	\$ 4,444

### Single compartment with drainboard left or right



	Overall Dimensions		Sink Compartment Dimensions				D.BOARD LOCATION	GAUGE	PRICE
	FRONT-BACK	LEFT-RIGHT	FRONT-BACK	LEFT-RIGHT	DEPTH	BACKSPLASH			
SSL2418L-1	30 1/2" (775 mm)	40 1/4" (1022 mm)	24" (610 mm)	18" (457 mm)	14" (356 mm)	9" (229 mm)	L	14	\$ 4,941
SSL2418R-1	30 1/2" (775 mm)	40 1/4" (1022 mm)	24" (610 mm)	18" (457 mm)	14" (356 mm)	9" (229 mm)	R	14	\$ 4,941
SSL2424L-1	30 1/2" (775 mm)	52 1/4" (1327 mm)	24" (610 mm)	24" (610 mm)	14" (356 mm)	9" (229 mm)	L	14	\$ 5,437
SSL2424R-1	30 1/2" (775 mm)	52 1/4" (1327 mm)	24" (610 mm)	24" (610 mm)	14" (356 mm)	9" (229 mm)	R	14	\$ 5,437

### Single compartment with drainboard left and right



	Overall Dimensions		Sink Compartment Dimensions				D.BOARD LOCATION	GAUGE	PRICE
	FRONT-BACK	LEFT-RIGHT	FRONT-BACK	LEFT-RIGHT	DEPTH	BACKSPLASH			
SSL2418LR-1	30 1/2" (775 mm)	58 1/4" (1480 mm)	24" (610 mm)	18" (457 mm)	14" (356 mm)	9" (229 mm)	L&R	14	\$ 5,934
SSL2424LR-1	30 1/2" (775 mm)	76 1/4" (1937 mm)	24" (610 mm)	24" (610 mm)	14" (356 mm)	9" (229 mm)	L&R	14	\$ 5,934



## Scullery sinks, Service series, double compartment

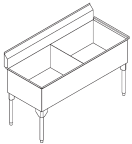


Double bowl scullery sink with square bowl corners. 14 gauge (2.0 mm), Type 304 (CNS 18/10) stainless steel, #4 satin finish. Sink compartments sloped to center drain, radius coved corners front and back only. Finished with rolled rim. Floor to rim height on all models is 35" (890 mm). Stainless steel tubular legs with adjustable feet. Includes 3 1/2" (89 mm) crumb cup waste assemblies with 1 1/2" (DN38) brass tailpiece. Drainboard has same dimensions as sink compartment: 24" x 18" (610 x 457 mm) or 24" x 24" (610 x 610 mm).

Standard faucet hole option: 2 hole, 8" (203 mm) centerset, positioned 4" (102 mm) below top of backsplash. Custom faucet hole drillings are available on all models. Please allow 8 weeks for delivery, these models are built to order and non-returnable. Certified to ASME A112.19.3-2008 / CSA B45.4-08.

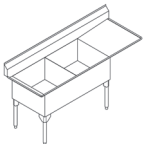


### Double compartment without drainboard



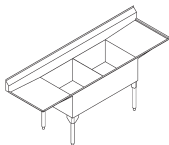
	Overall Dimensions		Sink Compartment Dimensions				D.BOARD LOCATION	GAUGE	PRICE
	FRONT-BACK	LEFT-RIGHT	FRONT-BACK	LEFT-RIGHT	DEPTH	BACKSPLASH			
SDL2436-1	30 1/2" (775 mm)	42 1/4" (1073 mm)	24" (610 mm)	18" (457 mm)	14" (356 mm)	9" (229 mm)	-	14	\$ 6,431
SDL2448-1	30 1/2" (775 mm)	54 1/4" (1378 mm)	24" (610 mm)	24" (610 mm)	14" (356 mm)	9" (229 mm)	-	14	\$ 6,925

### Double compartment with drainboard left or right



	Overall Dimensions		Sink Compartment Dimensions				D.BOARD LOCATION	GAUGE	PRICE
	FRONT-BACK	LEFT-RIGHT	FRONT-BACK	LEFT-RIGHT	DEPTH	BACKSPLASH			
SDL2436L-1	30 1/2" (775 mm)	60 1/4" (1530 mm)	24" (610 mm)	18" (457 mm)	14" (356 mm)	9" (229 mm)	L	14	\$ 7,422
SDL2436R-1	30 1/2" (775 mm)	60 1/4" (1530 mm)	24" (610 mm)	18" (457 mm)	14" (356 mm)	9" (229 mm)	R	14	\$ 7,422
SDL2448L-1	30 1/2" (775 mm)	78 1/4" (1988 mm)	24" (610 mm)	24" (610 mm)	14" (356 mm)	9" (229 mm)	L	14	\$ 7,920
SDL2448R-1	30 1/2" (775 mm)	78 1/4" (1988 mm)	24" (610 mm)	24" (610 mm)	14" (356 mm)	9" (229 mm)	R	14	\$ 7,920

### Double compartment with drainboard left and right



	Overall Dimensions		Sink Compartment Dimensions				D.BOARD LOCATION	GAUGE	PRICE
	FRONT-BACK	LEFT-RIGHT	FRONT-BACK	LEFT-RIGHT	DEPTH	BACKSPLASH			
SDL2436LR-1	30 1/2" (775 mm)	78 1/4" (1988 mm)	24" (610 mm)	18" (457 mm)	14" (356 mm)	9" (229 mm)	L&R	14	\$ 8,417
SDL2448LR-1	30 1/2" (775 mm)	102 1/4" (2597 mm)	24" (610 mm)	24" (610 mm)	14" (356 mm)	9" (229 mm)	L&R	14	\$ 8,913

## Scullery sinks, Service series, triple compartment



Triple bowl scullery sink with square bowl corners. 14 gauge (2.0 mm), Type 304 (CNS 18/10) stainless steel, #4 satin finish. Sink compartments sloped to center drain, radius coved corners front and back only. Finished with rolled rim. Floor to rim height on all models is 35" (890 mm). Stainless steel tubular legs with adjustable feet.

Includes 3 1/2" (89 mm) crumb cup waste assemblies with 1 1/2" (DN38) brass tailpiece. Drainboard has same dimensions as sink compartment: 24" x 18" (610 x 457 mm) or 24" x 24" (610 x 610 mm).

Standard faucet hole option: 2 hole, 8" (203 mm) centerset, positioned 4" (102 mm) below top of backsplash. Custom faucet hole drillings are available on all models.

Please allow 8 weeks for delivery, these models are built to order and non-returnable. Certified to ASME A112.19.3-2008 / CSA B45.4-08.

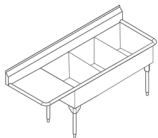


### Triple compartment without drainboard



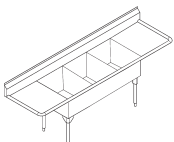
	Overall Dimensions		Sink Compartment Dimensions				D.BOARD LOCATION	GAUGE	PRICE
	FRONT-BACK	LEFT-RIGHT	FRONT-BACK	LEFT-RIGHT	DEPTH	BACKSPLASH			
STL2454-1	30 1/2" (775 mm)	62 1/4" (1581 mm)	24" (610 mm)	18" (457 mm)	14" (356 mm)	9" (229 mm)	-	14	\$ 7,920
STL2472-1	30 1/2" (775 mm)	80 1/4" (2038 mm)	24" (610 mm)	24" (610 mm)	14" (356 mm)	9" (229 mm)	-	14	\$ 10,402

### Triple compartment with drainboard left or right



	Overall Dimensions		Sink Compartment Dimensions				D.BOARD LOCATION	GAUGE	PRICE
	FRONT-BACK	LEFT-RIGHT	FRONT-BACK	LEFT-RIGHT	DEPTH	BACKSPLASH			
STL2454L-1	30 1/2" (775 mm)	80 1/4" (2038 mm)	24" (610 mm)	18" (457 mm)	14" (356 mm)	9" (229 mm)	L	14	\$ 8,913
STL2454R-1	30 1/2" (775 mm)	80 1/4" (2038 mm)	24" (610 mm)	18" (457 mm)	14" (356 mm)	9" (229 mm)	R	14	\$ 8,913
STL2472L-1	30 1/2" (775 mm)	104 1/4" (2648 mm)	24" (610 mm)	24" (610 mm)	14" (356 mm)	9" (229 mm)	L	14	\$ 11,397
STL2472R-1	30 1/2" (775 mm)	104 1/4" (2648 mm)	24" (610 mm)	24" (610 mm)	14" (356 mm)	9" (229 mm)	R	14	\$ 11,397

### Triple compartment with drainboard left and right



	Overall Dimensions		Sink Compartment Dimensions				D.BOARD LOCATION	GAUGE	PRICE
	FRONT-BACK	LEFT-RIGHT	FRONT-BACK	LEFT-RIGHT	DEPTH	BACKSPLASH			
STL2454LR-1	30 1/2" (775 mm)	98 1/4" (2496 mm)	24" (610 mm)	18" (457 mm)	14" (356 mm)	9" (229 mm)	L&R	14	\$ 9,905
STL2472LR-1	30 1/2" (775 mm)	128 1/4" (3258 mm)	24" (610 mm)	24" (610 mm)	14" (356 mm)	9" (229 mm)	L&R	14	\$ 12,387

## Scullery sinks, Restaurant series, single compartment



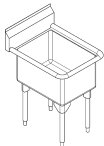
Single bowl scullery sink with radius coved corners, constructed with hygiene and food safety in mind. 16 gauge (1.5 mm), Type 304 (CNS 18/10) stainless steel, #4 satin finish. Sink compartment sloped to center drain, radius coved corners that are easy to clean. Finished with rolled rim. Floor to rim height on all models is 35" (890 mm). Stainless steel tubular legs with adjustable feet. Includes 3 1/2" (89 mm) crumb cup waste assembly with 1 1/2" (DN38) brass tailpiece.

Drainboard has same dimensions as sink compartment: 24" x 18" (610 x 457 mm) or 24" x 24" (610 x 610 mm).

Standard faucet hole option: 2 hole, 8" (203 mm) centerset, positioned 4" (102 mm) below top of backsplash. Custom faucet hole drillings are available on all models. Please allow 8 weeks for delivery, these models are built to order and non-returnable. Product compliance ASME A112.19.3/ CSA B45.4, NSF 2.

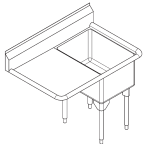


### Single compartment without drainboard



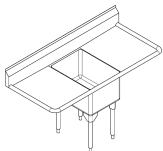
	Overall Dimensions		Sink Compartment Dimensions				D.BOARD LOCATION	GAUGE	PRICE
	FRONT-BACK	LEFT-RIGHT	FRONT-BACK	LEFT-RIGHT	DEPTH	BACKSPLASH			
RSL2418-1	30 1/2" (775 mm)	22 1/4" (565 mm)	24" (610 mm)	18" (457 mm)	14" (356 mm)	9" (229 mm)	-	16	\$ 4,361
RSL2424-1	30 1/2" (775 mm)	28 1/4" (718 mm)	24" (610 mm)	24" (610 mm)	14" (356 mm)	9" (229 mm)	-	16	\$ 4,592

### Single compartment with drainboard left or right



	Overall Dimensions		Sink Compartment Dimensions				D.BOARD LOCATION	GAUGE	PRICE
	FRONT-BACK	LEFT-RIGHT	FRONT-BACK	LEFT-RIGHT	DEPTH	BACKSPLASH			
RSL2418L-1	30 1/2" (775 mm)	40 1/4" (1022 mm)	24" (610 mm)	18" (457 mm)	14" (356 mm)	9" (229 mm)	L	16	\$ 5,388
RSL2418R-1	30 1/2" (775 mm)	40 1/4" (1022 mm)	24" (610 mm)	18" (457 mm)	14" (356 mm)	9" (229 mm)	R	16	\$ 5,388
RSL2424L-1	30 1/2" (775 mm)	52 1/4" (1327 mm)	24" (610 mm)	24" (610 mm)	14" (356 mm)	9" (229 mm)	L	16	\$ 5,617
RSL2424R-1	30 1/2" (775 mm)	52 1/4" (1327 mm)	24" (610 mm)	24" (610 mm)	14" (356 mm)	9" (229 mm)	R	16	\$ 5,617

### Single compartment with drainboard left and right



	Overall Dimensions		Sink Compartment Dimensions				D.BOARD LOCATION	GAUGE	PRICE
	FRONT-BACK	LEFT-RIGHT	FRONT-BACK	LEFT-RIGHT	DEPTH	BACKSPLASH			
RSL2418LR-1	30 1/2" (775 mm)	58 1/4" (1480 mm)	24" (610 mm)	18" (457 mm)	14" (356 mm)	9" (229 mm)	L&R	16	\$ 6,414
RSL2424LR-1	30 1/2" (775 mm)	76 1/4" (1937 mm)	24" (610 mm)	24" (610 mm)	14" (356 mm)	9" (229 mm)	L&R	16	\$ 6,644

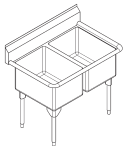
## Scullery sinks, Restaurant series, double compartment



Double bowl scullery sink with radius coved corners, constructed with hygiene and food safety in mind. 16 gauge (1.5 mm), Type 304 (CNS 18/10) stainless steel, #4 satin finish. Sink compartments sloped to center drain, radius coved corners that are easy to clean. Finished with rolled rim. Floor to rim height on all models is 35" (890 mm). Stainless steel tubular legs with adjustable feet. Includes 3 1/2" (89 mm) crumb cup waste assemblies with 1 1/2" (DN38) brass tailpiece. Drainboard has same dimensions as sink compartment: 24" x 18" (610 x 457 mm) or 24" x 24" (610 x 610 mm). Standard faucet hole option: 2 hole, 8" (203 mm) centerset, positioned 4" (102 mm) below top of backsplash. Custom faucet hole drillings are available on all models. Please allow 8 weeks for delivery, these models are built to order and non-returnable. Product compliance ASME A112.19.3/ CSA B45.4, NSF 2.

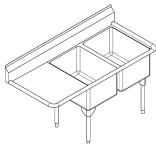


### Double compartment without drainboard



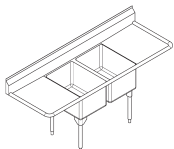
	Overall Dimensions		Sink Compartment Dimensions				D.BOARD LOCATION	GAUGE	PRICE
	FRONT-BACK	LEFT-RIGHT	FRONT-BACK	LEFT-RIGHT	DEPTH	BACKSPLASH			
RDL2436-1	30 1/2" (775 mm)	42 1/4" (1073 mm)	24" (610 mm)	18" (457 mm)	14" (356 mm)	9" (229 mm)	-	16	\$ 6,644
RDL2448-1	30 1/2" (775 mm)	54 1/4" (1378 mm)	24" (610 mm)	24" (610 mm)	14" (356 mm)	9" (229 mm)	-	16	\$ 7,159

### Double compartment with drainboard left or right



	Overall Dimensions		Sink Compartment Dimensions				D.BOARD LOCATION	GAUGE	PRICE
	FRONT-BACK	LEFT-RIGHT	FRONT-BACK	LEFT-RIGHT	DEPTH	BACKSPLASH			
RDL2436L-1	30 1/2" (775 mm)	60 1/4" (1530 mm)	24" (610 mm)	18" (457 mm)	14" (356 mm)	9" (229 mm)	L	16	\$ 7,669
RDL2436R-1	30 1/2" (775 mm)	60 1/4" (1530 mm)	24" (610 mm)	18" (457 mm)	14" (356 mm)	9" (229 mm)	R	16	\$ 7,669
RDL2448L-1	30 1/2" (775 mm)	78 1/4" (1988 mm)	24" (610 mm)	24" (610 mm)	14" (356 mm)	9" (229 mm)	L	16	\$ 8,182
RDL2448R-1	30 1/2" (775 mm)	78 1/4" (1988 mm)	24" (610 mm)	24" (610 mm)	14" (356 mm)	9" (229 mm)	R	16	\$ 8,182

### Double compartment with drainboard left and right



	Overall Dimensions		Sink Compartment Dimensions				D.BOARD LOCATION	GAUGE	PRICE
	FRONT-BACK	LEFT-RIGHT	FRONT-BACK	LEFT-RIGHT	DEPTH	BACKSPLASH			
RDL2436LR-1	30 1/2" (775 mm)	78 1/4" (1988 mm)	24" (610 mm)	18" (457 mm)	14" (356 mm)	9" (229 mm)	L & R	16	\$ 8,696
RDL2448LR-1	30 1/2" (775 mm)	102 1/4" (2597 mm)	24" (610 mm)	24" (610 mm)	14" (356 mm)	9" (229 mm)	L & R	16	\$ 9,209

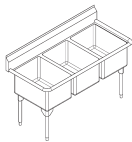
## Scullery sinks, Restaurant series, triple compartment



Triple bowl scullery sink with radius covered corners, constructed with hygiene and food safety in mind. 16 gauge (1.5 mm), Type 304 (CNS 18/10) stainless steel, #4 satin finish. Sink compartments sloped to center drain, radius covered corners that are easy to clean. Finished with rolled rim. Floor to rim height on all models is 35" (890 mm). Stainless steel tubular legs with adjustable feet. Includes 3 1/2" (89 mm) crumb cup waste assemblies with 1 1/2" (DN38) brass tailpiece. Drainboard has same dimensions as sink compartment: 24" x 18" (610 x 457 mm) or 24" x 24" (610 x 610 mm). Standard faucet hole option: 2 hole, 8" (203 mm) centerset, positioned 4" (102 mm) below top of backsplash. Custom faucet hole drillings are available on all models. Please allow 8 weeks for delivery, these models are built to order and non-returnable. Product compliance ASME A112.19.3/ CSA B45.4, NSF 2.

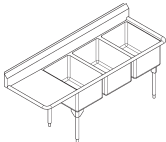


### Triple compartment without drainboard



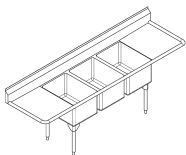
	Overall Dimensions		Sink Compartment Dimensions				D.BOARD LOCATION	GAUGE	PRICE
	FRONT-BACK	LEFT-RIGHT	FRONT-BACK	LEFT-RIGHT	DEPTH	BACKSPLASH			
RTL2454-1	30 1/2" (775 mm)	62 1/4" (1581 mm)	24" (610 mm)	18" (457 mm)	14" (356 mm)	9" (229 mm)	-	16	\$ 10,236
RTL2472-1	30 1/2" (775 mm)	80 1/4" (2038 mm)	24" (610 mm)	24" (610 mm)	14" (356 mm)	9" (229 mm)	-	16	\$ 10,748

### Triple compartment with drainboard left or right



	Overall Dimensions		Sink Compartment Dimensions				D.BOARD LOCATION	GAUGE	PRICE
	FRONT-BACK	LEFT-RIGHT	FRONT-BACK	LEFT-RIGHT	DEPTH	BACKSPLASH			
RTL2454L-1	30 1/2" (775 mm)	80 1/4" (2038 mm)	24" (610 mm)	18" (457 mm)	14" (356 mm)	9" (229 mm)	L	16	\$11,263
RTL2454R-1	30 1/2" (775 mm)	80 1/4" (2038 mm)	24" (610 mm)	18" (457 mm)	14" (356 mm)	9" (229 mm)	R	16	\$11,263
RTL2472L-1	30 1/2" (775 mm)	104 1/4" (2648 mm)	24" (610 mm)	24" (610 mm)	14" (356 mm)	9" (229 mm)	L	16	\$ 11,775
RTL2472R-1	30 1/2" (775 mm)	104 1/4" (2648 mm)	24" (610 mm)	24" (610 mm)	14" (356 mm)	9" (229 mm)	R	16	\$ 11,775

### Triple compartment with drainboard left and right



	Overall Dimensions		Sink Compartment Dimensions				D.BOARD LOCATION	GAUGE	PRICE
	FRONT-BACK	LEFT-RIGHT	FRONT-BACK	LEFT-RIGHT	DEPTH	BACKSPLASH			
RTL2454LR-1	30 1/2" (775 mm)	98 1/4" (2496 mm)	24" (610 mm)	18" (457 mm)	14" (356 mm)	9" (229 mm)	L & R	16	\$ 12,288
RTL2472LR-1	30 1/2" (775 mm)	128 1/4" (3258 mm)	24" (610 mm)	24" (610 mm)	14" (356 mm)	9" (229 mm)	L & R	16	\$ 12,801

## Scullery sinks, World Class series, single compartment



Single bowl scullery sink with radius covered bowl corners, constructed with hygiene and food safety in mind. 14 gauge (2.0 mm), Type 304 (CNS 18/10) stainless steel, #4 satin finish. Sink compartment sloped to center drain, radius covered corners that are easy to clean. Finished with rolled rim. Floor to rim height on all models is 35" (890 mm). Stainless steel tubular legs with adjustable feet. Includes 3 1/2" (89 mm) crumb cup waste assembly with 1 1/2" (DN38) brass tailpiece.

Drainboard has same dimensions as sink compartment: 24" x 18" (610 x 457 mm) or 24" x 24" (610 x 610 mm).

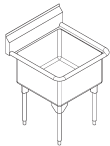
Standard faucet hole option: 2 hole, 8" (203 mm) centerset, positioned 4" (102 mm) below top of backsplash. Custom faucet hole drillings are available on all models.

Please allow 8 weeks for delivery, these models are built to order and non-returnable.

Product compliance ASME A112.19.3/ CSA B45.4, NSF 2.

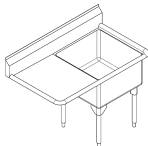


### Single compartment without drainboard



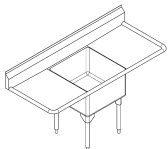
	Overall Dimensions		Sink Compartment Dimensions				D.BOARD LOCATION	GAUGE	PRICE
	FRONT-BACK	LEFT-RIGHT	FRONT-BACK	LEFT-RIGHT	DEPTH	BACKSPLASH			
WSL2418-1	30 1/2" (775 mm)	22 1/4" (565 mm)	24" (610 mm)	18" (457 mm)	14" (356 mm)	9" (229 mm)	-	14	\$ 5,009
WSL2424-1	30 1/2" (775 mm)	28 1/4" (718 mm)	24" (610 mm)	24" (610 mm)	14" (356 mm)	9" (229 mm)	-	14	\$ 5,569

### Single compartment with drainboard left or right



	Overall Dimensions		Sink Compartment Dimensions				D.BOARD LOCATION	GAUGE	PRICE
	FRONT-BACK	LEFT-RIGHT	FRONT-BACK	LEFT-RIGHT	DEPTH	BACKSPLASH			
WSL2418L-1	30 1/2" (775 mm)	40 1/4" (1022 mm)	24" (610 mm)	18" (457 mm)	14" (356 mm)	9" (229 mm)	L	14	\$ 6,129
WSL2418R-1	30 1/2" (775 mm)	40 1/4" (1022 mm)	24" (610 mm)	18" (457 mm)	14" (356 mm)	9" (229 mm)	R	14	\$ 6,129
WSL2424L-1	30 1/2" (775 mm)	52 1/4" (1327 mm)	24" (610 mm)	24" (610 mm)	14" (356 mm)	9" (229 mm)	L	14	\$ 6,688
WSL2424R-1	30 1/2" (775 mm)	52 1/4" (1327 mm)	24" (610 mm)	24" (610 mm)	14" (356 mm)	9" (229 mm)	R	14	\$ 6,688

### Single compartment with drainboard left and right



	Overall Dimensions		Sink Compartment Dimensions				D.BOARD LOCATION	GAUGE	PRICE
	FRONT-BACK	LEFT-RIGHT	FRONT-BACK	LEFT-RIGHT	DEPTH	BACKSPLASH			
WSL2418LR-1	30 1/2" (775 mm)	58 1/4" (1480 mm)	24" (610 mm)	18" (457 mm)	14" (356 mm)	9" (229 mm)	L&R	14	\$ 7,248
WSL2424LR-1	30 1/2" (775 mm)	76 1/4" (1937 mm)	24" (610 mm)	24" (610 mm)	14" (356 mm)	9" (229 mm)	L&R	14	\$ 7,808

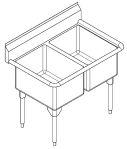
# Scullery sinks, World Class series, double compartment



Double bowl scullery sink with radius covered bowl corners, constructed with hygiene and food safety in mind. 14 gauge (2.0 mm), Type 304 (CNS 18/10) stainless steel, #4 satin finish. Sink compartments sloped to center drain, radius covered corners that are easy to clean. Finished with rolled rim. Floor to rim height on all models is 35" (890 mm). Stainless steel tubular legs with adjustable feet. Includes 3 1/2" (89 mm) crumb cup waste assemblies with 1 1/2" (DN38) brass tailpiece. Drainboard has same dimensions as sink compartment: 24" x 18" (610 x 457 mm) or 24" x 24" (610 x 610 mm). Standard faucet hole option: 2 hole, 8" (203 mm) centerset, positioned 4" (102 mm) below top of backsplash. Custom faucet hole drillings are available on all models. Please allow 8 weeks for delivery, these models are built to order and non-returnable. Product compliance ASME A112.19.3/ CSA B45.4, NSF 2.

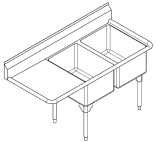


## Double compartment without drainboard



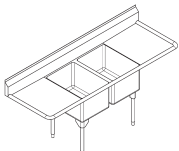
	Overall Dimensions		Sink Compartment Dimensions				D.BOARD LOCATION	GAUGE	PRICE
	FRONT-BACK	LEFT-RIGHT	FRONT-BACK	LEFT-RIGHT	DEPTH	BACKSPLASH			
WDL2436-1	30 1/2" (775 mm)	42 1/4" (1073 mm)	24" (610 mm)	18" (457 mm)	14" (356 mm)	9" (229 mm)	-	14	\$ 7,808
WDL2448-1	30 1/2" (775 mm)	54 1/4" (1378 mm)	24" (610 mm)	24" (610 mm)	14" (356 mm)	9" (229 mm)	-	14	\$ 8,368

## Double compartment with drainboard left or right



	Overall Dimensions		Sink Compartment Dimensions				D.BOARD LOCATION	GAUGE	PRICE
	FRONT-BACK	LEFT-RIGHT	FRONT-BACK	LEFT-RIGHT	DEPTH	BACKSPLASH			
WDL2436L-1	30 1/2" (775 mm)	60 1/4" (1530 mm)	24" (610 mm)	18" (457 mm)	14" (356 mm)	9" (229 mm)	L	14	\$ 8,927
WDL2436R-1	30 1/2" (775 mm)	60 1/4" (1530 mm)	24" (610 mm)	18" (457 mm)	14" (356 mm)	9" (229 mm)	R	14	\$ 8,927
WDL2448L-1	30 1/2" (775 mm)	78 1/4" (1988 mm)	24" (610 mm)	24" (610 mm)	14" (356 mm)	9" (229 mm)	L	14	\$ 9,486
WDL2448R-1	30 1/2" (775 mm)	78 1/4" (1988 mm)	24" (610 mm)	24" (610 mm)	14" (356 mm)	9" (229 mm)	R	14	\$ 9,486

## Double compartment with drainboard left and right



	Overall Dimensions		Sink Compartment Dimensions				D.BOARD LOCATION	GAUGE	PRICE
	FRONT-BACK	LEFT-RIGHT	FRONT-BACK	LEFT-RIGHT	DEPTH	BACKSPLASH			
WDL2436LR-1	30 1/2" (775 mm)	78 1/4" (1988 mm)	24" (610 mm)	18" (457 mm)	14" (356 mm)	9" (229 mm)	L&R	14	\$ 10,047
WDL2448LR-1	30 1/2" (775 mm)	102 1/4" (2597 mm)	24" (610 mm)	24" (610 mm)	14" (356 mm)	9" (229 mm)	L&R	14	\$ 10,607

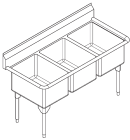
# Scullery sinks, World Class series, triple compartment



Triple bowl scullery sink with radius covered bowl corners, constructed with hygiene and food safety in mind. 14 gauge (2.0 mm), Type 304 (CNS 18/10) stainless steel, #4 satin finish. Sink compartments sloped to center drain, radius covered corners that are easy to clean. Finished with rolled rim. Floor to rim height on all models is 35" (890 mm). Stainless steel tubular legs with adjustable feet. Includes 3 1/2" (89 mm) crumb cup waste assemblies with 1 1/2" (DN38) brass tailpiece. Drainboard has same dimensions as sink compartment: 24" x 18" (610 x 457 mm) or 24" x 24" (610 x 610 mm). Standard faucet hole option: 2 hole, 8" (203 mm) centerset, positioned 4" (102 mm) below top of backsplash. Custom faucet hole drillings are available on all models. Please allow 8 weeks for delivery, these models are built to order and non-returnable. Product compliance ASME A112.19.3/ CSA B45.4, NSF 2.

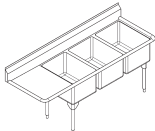


## Triple compartment without drainboard



	Overall Dimensions		Sink Compartment Dimensions				D.BOARD LOCATION	GAUGE	PRICE
	FRONT-BACK	LEFT-RIGHT	FRONT-BACK	LEFT-RIGHT	DEPTH	BACKSPLASH			
WTL2454-1	30 1/2" (775 mm)	62 1/4" (1581 mm)	24" (610 mm)	18" (457 mm)	14" (356 mm)	9" (229 mm)	-	14	\$ 12,285
WTL2472-1	30 1/2" (775 mm)	80 1/4" (2038 mm)	24" (610 mm)	24" (610 mm)	14" (356 mm)	9" (229 mm)	-	14	\$ 12,845

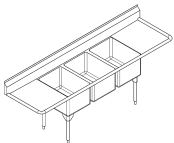
## Triple compartment with drainboard left or right



	Overall Dimensions		Sink Compartment Dimensions				D.BOARD LOCATION	GAUGE	PRICE
	FRONT-BACK	LEFT-RIGHT	FRONT-BACK	LEFT-RIGHT	DEPTH	BACKSPLASH			
WTL2454L-1	30 1/2" (775 mm)	80 1/4" (2038 mm)	24" (610 mm)	18" (457 mm)	14" (356 mm)	9" (229 mm)	L	14	\$ 13,404
WTL2454R-1	30 1/2" (775 mm)	80 1/4" (2038 mm)	24" (610 mm)	18" (457 mm)	14" (356 mm)	9" (229 mm)	R	14	\$ 13,404
WTL2472L-1	30 1/2" (775 mm)	104 1/4" (2648 mm)	24" (610 mm)	24" (610 mm)	14" (356 mm)	9" (229 mm)	L	14	\$ 13,965
WTL2472R-1	30 1/2" (775 mm)	104 1/4" (2648 mm)	24" (610 mm)	24" (610 mm)	14" (356 mm)	9" (229 mm)	R	14	\$ 13,965

## Triple compartment with drainboard left and right

**New drainboard sizes:** 18" wide bowl has 18" wide drainboard, and 24" wide bowl has 24" wide drainboard



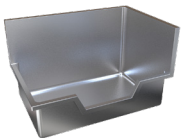
	Overall Dimensions		Sink Compartment Dimensions				D.BOARD LOCATION	GAUGE	PRICE
	FRONT-BACK	LEFT-RIGHT	FRONT-BACK	LEFT-RIGHT	DEPTH	BACKSPLASH			
WTL2454LR-1	30 1/2" (775 mm)	98 1/4" (2496 mm)	24" (610 mm)	18" (457 mm)	14" (356 mm)	9" (229 mm)	L&R	14	\$ 14,524
WTL2472LR-1	30 1/2" (775 mm)	128 1/4" (3258 mm)	24" (610 mm)	24" (610 mm)	14" (356 mm)	9" (229 mm)	L&R	14	\$ 15,084



# Mop utility sinks



## Mop sinks, boot wash stations in Type 316 stainless steel



	Overall Dimensions		Sink Compartment Dimensions			FRONT EDGE STYLE	SPLASH LOCATION	GAUGE	PRICE
	FRONT-BACK	LEFT-RIGHT	FRONT-BACK	LEFT-RIGHT	DEPTH				
FSS151509-316-1	17 1/2" (445 mm)	17 1/2" (445 mm)	15" (381 mm)	15" (381 mm)	9 1/4" (231 mm)	Straight	-	16	\$ 3,957
FSS222210-316-1	24" (610 mm)	24" (610 mm)	21 1/2" (546 mm)	21 1/2" (546 mm)	10" (254 mm)	Straight	L&R	16	\$ 5,386
FSSL223410-316-1	24" (610 mm)	36" (914 mm)	21 1/2" (546 mm)	33 1/2" (851 mm)	10" (254 mm)	Straight	L	16	\$ 6,882
FSSR223410-316-1	24" (610 mm)	36" (914 mm)	21 1/2" (546 mm)	33 1/2" (851 mm)	10" (254 mm)	Square front	R	16	\$ 6,882
FSS2210-316-1	24" (610 mm)	24" (610 mm)	21 1/2" (546 mm)	21 1/2" (546 mm)	10" (254 mm)	Angular front	L&R	16	\$ 7,898
FSSO2210-316-1	24" (610 mm)	24" (610 mm)	21 1/2" (546 mm)	21 1/2" (546 mm)	10" (254 mm)	Drop front	L&R	16	\$ 7,898
FSSOL223410-316-1	24" (610 mm)	36" (914 mm)	21 1/2" (546 mm)	33 1/2" (851 mm)	10" (254 mm)	Drop front	L	16	\$ 8,102
FSSOR223410-316-1	24" (610 mm)	36" (914 mm)	21 1/2" (546 mm)	33 1/2" (851 mm)	10" (254 mm)	Drop front	R	16	\$ 8,102

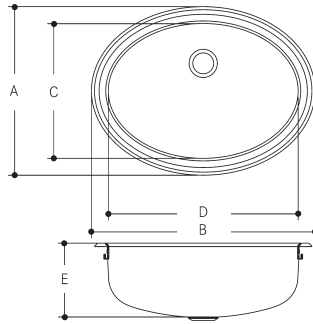


Detailed specification information on MOP SINKS can be found on pages 21 & 22

# Vanity Basins



## Oval vanity basin topmount no faucet ledge



Single compartment self rimming oval topmount vanity basin without faucet ledge. 18 gauge (1.2 mm), Type 304 (CNS 18/10) stainless steel with satin finish bowl, mirror finish rim. Center back waste location. Undercoated to reduce condensation and resonance. Factory applied rim seal. Includes cutout template and installation hardware.

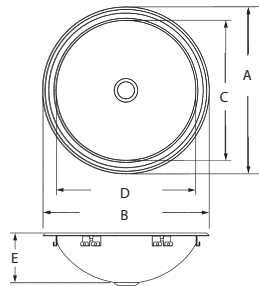
Certified to ASME A112.19.3-2008 / CSA B45.4-08.

Models that end in -5D or -6D include a 1 1/2" (38 mm) waste assembly with rubber stopper.

Models that end in -5 or -6 accept a 1 1/4" (32 mm) waste assembly, not included.

♿	MODEL	Overall Dimensions		Sink Compartment Dimensions			OVER-FLOW	GAUGE	PRICE
		A FRONT-BACK	B LEFT-RIGHT	C FRONT-BACK	D LEFT-RIGHT	E DEPTH			
•	V1114-5	10 7/8" [276 mm]	14 3/8" [365 mm]	8 1/8" [206 mm]	11 5/8" [295 mm]	5" [127 mm]	-	18	\$ 364
•	V1114-5D	10 7/8" [276 mm]	14 3/8" [365 mm]	8 1/8" [206 mm]	11 5/8" [295 mm]	5" [127 mm]	-	18	\$ 426
•	V1418-5D	13 3/4" [349 mm]	18 1/4" [464 mm]	11" [279 mm]	15 1/2" [394 mm]	5" [127 mm]	-	18	\$ 517
•	V1418-6	13 3/4" [349 mm]	18 1/4" [464 mm]	11" [279 mm]	15 1/2" [394 mm]	6" [152 mm]	-	18	\$ 469
•	OV1418-6	13 3/4" [349 mm]	18 1/4" [464 mm]	11" [279 mm]	15 1/2" [394 mm]	6" [152 mm]	Front	18	\$ 619

## Round vanity basin topmount no faucet ledge



Single compartment self rimming round topmount vanity basin without faucet ledge. 18 gauge (1.2 mm), Type 304 (CNS 18/10) stainless steel with satin finish bowl, mirror finish rim. Center back waste location. Undercoated to reduce condensation and resonance. Factory applied rim seal. Includes cutout template and installation hardware.

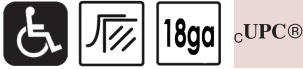
Certified to ASME A112.19.3-2008 / CSA B45.4-08.

Models that end in -5D or -6D include a 1 1/2" (38 mm) waste assembly with rubber stopper.

Models that end in -5 or -6 accept a 1 1/4" (32 mm) waste assembly, not included.

♿	MODEL	Overall Dimensions		Sink Compartment Dimensions			OVER-FLOW	GAUGE	PRICE
		A FRONT-BACK	B LEFT-RIGHT	C FRONT-BACK	D LEFT-RIGHT	E DEPTH			
•	V17-5	16 3/4" [425 mm]	16 3/4" [425 mm]	14" [356 mm]	14" [356 mm]	5" [127 mm]	-	18	\$ 493
•	OV17-5	16 3/4" [425 mm]	16 3/4" [425 mm]	14" [356 mm]	14" [356 mm]	5" [127 mm]	Back	18	\$ 566
•	V17-5D	16 3/4" [425 mm]	16 3/4" [425 mm]	14" [356 mm]	14" [356 mm]	5" [127 mm]	-	18	\$ 512
•	V17-6	16 3/4" [425 mm]	16 3/4" [425 mm]	14" [356 mm]	14" [356 mm]	5" [127 mm]	-	18	\$ 556
•	OV17-6	16 3/4" [425 mm]	16 3/4" [425 mm]	14" [356 mm]	14" [356 mm]	6" [152 mm]	Front	18	\$ 597

## Vanity basin topmount with faucet ledge



**With ledge, 5" deep, overflow**  
**OV1619-5-1** 1 hole, centered  
**OV1619-5-3** 3 hole, 4" centerset

Gauge 18

Outside dimensions **16 3/8 x 18 1/2"**

Inside bowl **11 x 15 3/16 x 5"**

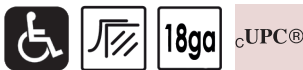
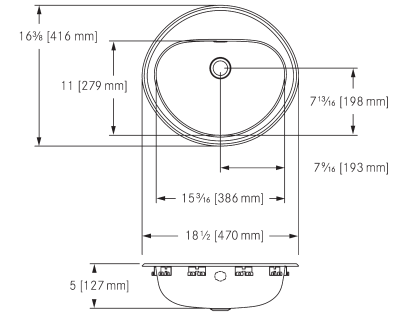
Mirror finished rim, #4 satin finished bowl

Integral **overflow** at back of bowl

Accepts 1 1/4" (32 mm) overflow waste assembly,  
not included

Waste location **Center back**

**\$ 624**



**With ledge, 5" deep, no overflow**  
**V1619-5-1** 1 hole, centered  
**V1619-5-3** 3 hole, 4" centerset

Gauge 18

Outside dimensions **16 3/8 x 18 1/2"**

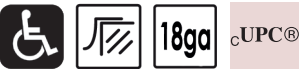
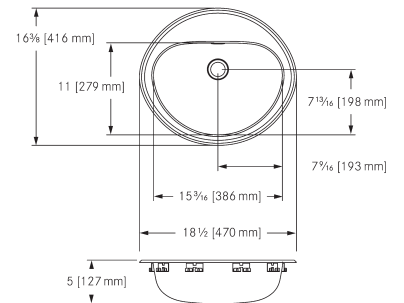
Inside bowl **11 x 15 3/16 x 5"**

Mirror finished rim, #4 satin finished bowl

Accepts 1 1/4" (32 mm) waste assembly, not  
included

Waste location **Center back**

**\$ 619**



**With ledge, 6" deep, overflow**  
**OV1619-6-1** 1 hole, centered  
**OV1619-6-3** 3 hole, 4" centerset

Gauge 18

Outside dimensions **16 3/8 x 18 1/2"**

Inside bowl **11 x 15 3/16 x 6"**

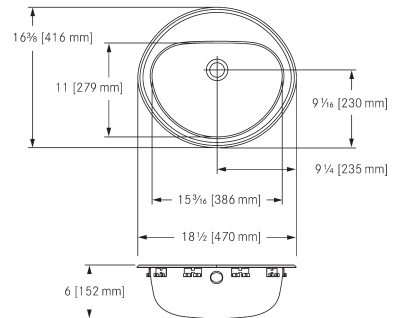
Mirror finished rim, #4 satin finished bowl

Integral **overflow** at back of bowl

Accepts 1 1/4" (32 mm) overflow waste assembly,  
not included

Waste location **Center back**

**\$ 632**



**With ledge, 6" deep, no overflow**  
**V1619-6-1** 1 hole, centered  
**V1619-6-3** 3 hole, 4" centerset

Gauge 18

Outside dimensions **16 3/8 x 18 1/2"**

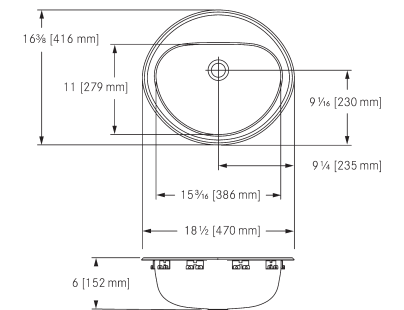
Inside bowl **11 x 15 3/16 x 6"**

Mirror finished rim, #4 satin finished bowl

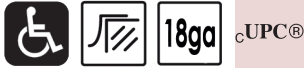
Accepts 1 1/4" (32 mm) waste assembly, not  
included

Waste location **Center back**

**\$ 628**

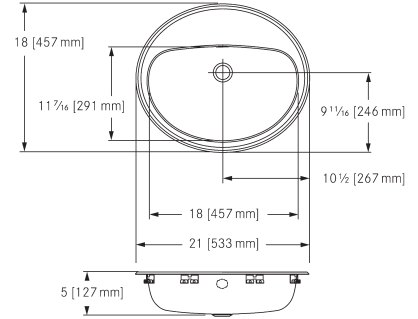


## Vanity basin topmount with faucet ledge



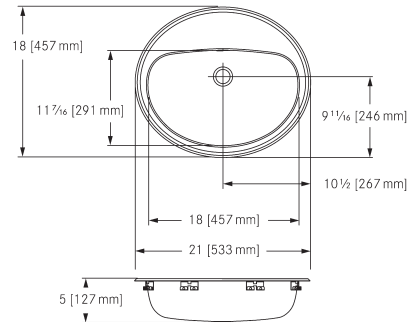
**With ledge, 5" deep, overflow**  
**OV1821-5-1** 1 hole, centered  
**OV1821-5-3** 3 hole, 4" centerset  
 Gauge 18  
 Outside dimensions **18 x 21"**  
 Inside bowl **11<sup>7</sup>/<sub>16</sub> x 18 x 5"**  
 Mirror finished rim, #4 satin finished bowl  
 Integral **overflow** at back of bowl  
 Accepts 1<sup>1</sup>/<sub>4</sub>" (32 mm) overflow waste assembly,  
 not included  
 Waste location **Center back**

**\$ 667**



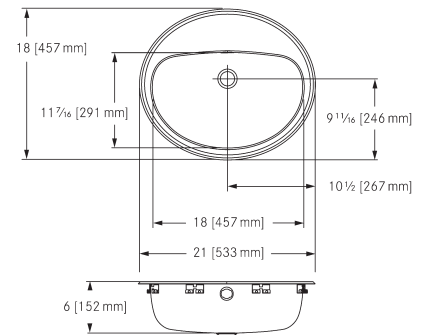
**With ledge, 5" deep, no overflow**  
**V1821-5-1** 1 hole, centered  
**V1821-5-3** 3 hole, 4" centerset  
 Gauge 18  
 Outside dimensions **18 x 21"**  
 Inside bowl **11<sup>7</sup>/<sub>16</sub> x 18 x 5"**  
 Mirror finished rim, #4 satin finished bowl  
 Accepts 1<sup>1</sup>/<sub>4</sub>" (32 mm) waste assembly, not  
 included  
 Waste location **Center back**

**\$ 645**



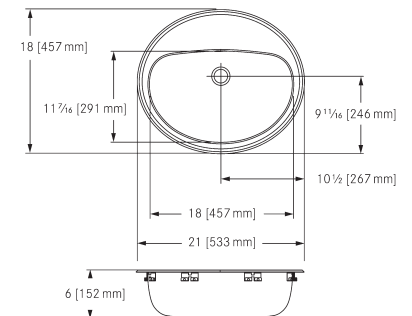
**With ledge, 6" deep, overflow**  
**OV1821-6-1** 1 hole, centered  
**OV1821-6-3** 3 hole, 4" centerset  
 Gauge 18  
 Outside dimensions **18 x 21"**  
 Inside bowl **11<sup>7</sup>/<sub>16</sub> x 18 x 6"**  
 Mirror finished rim, #4 satin finished bowl  
 Integral **overflow** at back of bowl  
 Accepts 1<sup>1</sup>/<sub>4</sub>" (32 mm) overflow waste assembly,  
 not included  
 Waste location **Center back**

**\$ 739**



**With ledge, 6" deep, no overflow**  
**V1821-6-1** 1 hole, centered  
**V1821-6-3** 3 hole, 4" centerset  
 Gauge 18  
 Outside dimensions **18 x 21"**  
 Inside bowl **11<sup>7</sup>/<sub>16</sub> x 18 x 6"**  
 Mirror finished rim, #4 satin finished bowl  
 Accepts 1<sup>1</sup>/<sub>4</sub>" (32 mm) waste assembly, not  
 included  
 Waste location **Center back**

**\$ 686**

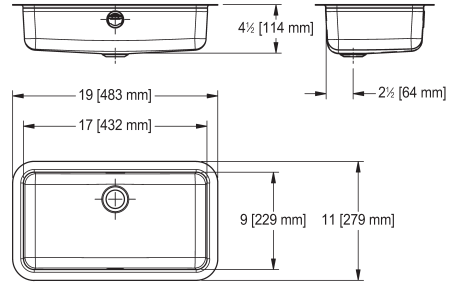


# Vanity basin undermount

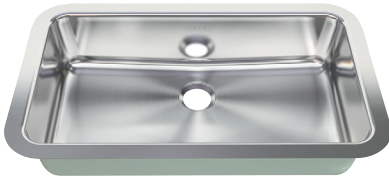


**Undermount, rectangular, overflow  
OWB1119U-5**

Gauge **18**  
 Outside dimensions **11 x 19"**  
 Inside bowl **9 x 17 x 4 1/2"**  
 #4 satin finished bowl  
 Integral **overflow** at front of bowl  
 Accepts 1 1/4" (32 mm) overflow waste  
 assembly, not included  
 Waste location **Center back**

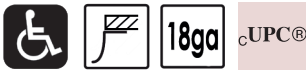
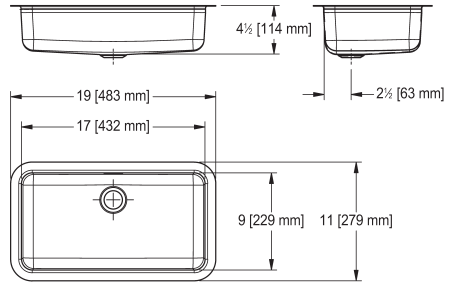


**\$ 1,112**



**Undermount, rectangular, no overflow  
WB1119U-5**

Gauge **18**  
 Outside dimensions **11 x 19"**  
 Inside bowl **9 x 17 x 4 1/2"**  
 #4 satin finished bowl  
 Accepts 1 1/4" (32 mm) waste assembly, not  
 included  
 Waste location **Center back**

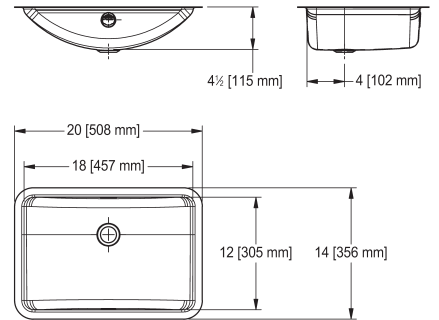


**\$ 1,175**



**Undermount, U-shaped, overflow  
OWB1420U-5**

Gauge **18**  
 Outside dimensions **14 x 20"**  
 Inside bowl **12 x 18 x 4 1/2"**  
 #4 satin finished bowl  
 Integral **overflow** at back of bowl  
 Accepts 1 1/4" (32 mm) overflow waste  
 assembly, not included  
 Waste location **Center back**

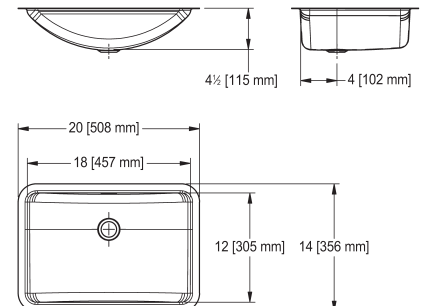


**\$ 1,077**



**Undermount, U-shaped, no overflow  
WB1420U-5**

Gauge **18**  
 Outside dimensions **14 x 20"**  
 Inside bowl **12 x 18 x 4 1/2"**  
 #4 satin finished bowl  
 Accepts 1 1/4" (32 mm) waste assembly,  
 not included  
 Waste location **Center back**



**\$ 1,080**

## Vanity basin undermount



### Undermount with overflow

#### OV1317U-5

Gauge **18**

Outside dimensions **13 1/4 x 17 7/16"**

Inside bowl **10 15/16 x 15 3/16 x 5"**

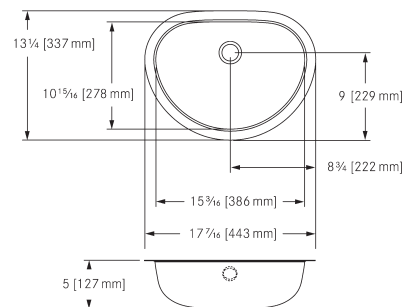
#4 satin finished bowl

Integral **overflow** at back of bowl

Accepts 1 1/4" (32 mm) overflow waste assembly, not included

Waste location **Center back**

**\$ 779**



### Undermount with overflow

#### OV1420U-5

Gauge **18**

Outside dimensions **13 11/16 x 20 1/4"**

Inside bowl **11 7/16 x 18 x 5"**

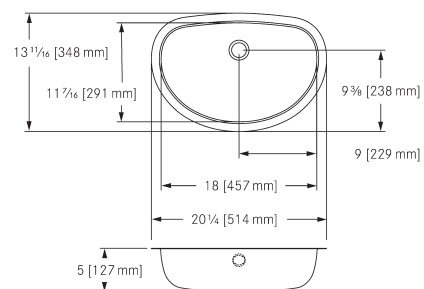
#4 satin finished bowl

Integral **overflow** at back of bowl

Accepts 1 1/4" (32 mm) overflow waste assembly, not included

Waste location **Center back**

**\$ 974**



# Healthcare



- 47 Medi-flo healthcare sink
- 48 Ozo-flo faucets
- 49 Medi-flo & Ozo-flo accessories
- 50 Nightingale patient room sinks
- 53 Premium surgical scrub sinks
- 54 Classic surgical scrub sinks
- 55 Premium surgical scrub sinks bundles
- 56 Clinical wash basins
- 58 Dual mount healthcare sinks



# Medi-flo hand hygiene sink with integrated spout

## Patient room sink with integrated spout for infection control

### HWSS2321W-00

Wall mount healthcare sink with laminar flow spout with integrated electrochemical water disinfection technology. White solid surface hand hygiene sink with removable shroud. Left rear 1 1/2" (DN 40) waste location to prevent water from splashing directly into the waste. An anti-splash feature runs through the center of the sink to greatly reduce splashing. Infrared controls trigger an illuminated crystal clear true laminar flow water stream delivering water with dissolved ozone and other mixed oxidants on demand. Flow rate is 5.7 Lpm/1.5 gpm.

Recommended for areas with normal water conductivity above 75 TDS. If unaware of your local water conductivity, please contact customer service and this can easily be determined for you. Recommended water temperature is between 80-95°F (27-35°C). Hand hygiene sinks are specifically designed for hand washing only. They are not recommended as a drinking source, for washing utensils or for draining of medical bags or bedpans.

A plug-in transformer required for generation of mixed oxidants is included. Medi-flo is cUPC certified and is compliant with CSA B45.5-11/IAPMO Z124-2011 and IGC156-2012el. Meets and exceeds various national healthcare standards; ie, Z317/CSAZ8000. Wheelchair accessible: meets ADA, ANSI A117.1 and CSA B651-04. Patent Pending.

Optional: Pre-set thermostatic mixing valve **MEDI-MIX**.  
Optional: In-wall carrier **IWC2104** for quicker installation.

**\$ 3,684**



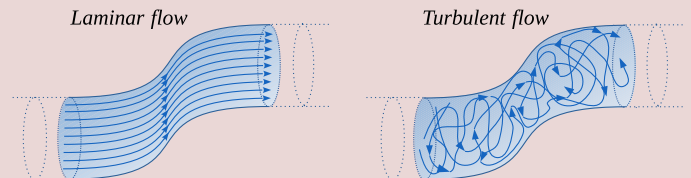
## Medi-flo splash reduction features



- Side splashes to prevent water from splashing out of the sink
- Laminar flow spout
- Infrared sensor turns water on when user places hands inside sink
- Center rib diverts water flow from faucet
- Integral waste, offset drain in rear left position

## Laminar flow spout reduces splashing

Medi-flo delivers water in a laminar flow stream. Laminar flow occurs when water molecules move in an orderly, straight line for a turbulence-free stream.



## Efficacy of electrochemical water disinfection

Pathogen	Efficacy	Contact time	Source
Candida auris	99.9%	10 minutes	Cleveland VA Medical Center
C. difficile spores	64%	20 seconds	EMSL Canada Inc.
Klebsiella pneumoniae	99.99%	30 seconds	EMSL Canada Inc.
Legionella pneumophila	99.99%	5 minutes	EMSL Canada Inc.
MRSA	99.9%	10 minutes	Cleveland VA Medical Center
Pseudomonas	99.9%	10 minutes	Cleveland VA Medical Center

Time kill studies performed by 3rd party laboratories show that electrochemical water disinfection can be effective at reducing certain waterborne pathogens.

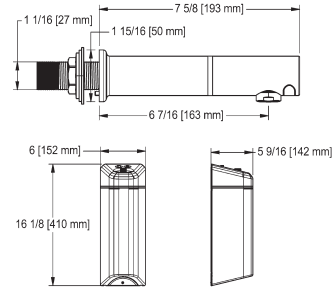
# Ozo-flo laminar flow healthcare faucets

Ozo-flo hands-free clinical faucets are ideal for new or retrofit applications where hand wash sinks can benefit from added infection control. The addition of ozone and other mixed oxidants to the water will help keep the sink and waste free of biofilms and bacteria. Faucets are fabricated from Type 316 stainless steel and feature a blue illumination ring indicating activation of ozonation cycle. Control features include a post-wash cycle of 3 seconds to wash soap residue and bacteria down the drain. A daily purge cycle prevents water from stagnating in the drain lines for continuous waste disinfection.



## Ozo-flo touch free faucet, wall mount HWF05

Front to back  $7 \frac{5}{8}$ "  
 Diameter  $1 \frac{1}{2}$ "  
 Hands free operation  
**Laminar flow** 5.7 Lpm/1.5 gpm  
 Includes ozone generator unit with plug-in transformer.  
 Requires thermostatic mixing valve, not included.  
 Recommended: MEDI-MIX.  
 Certified to ASME A112.18.1/B125.1, UL1951, UL979 for ozone features, and CSA C22.2, Numbers 68 and 14.

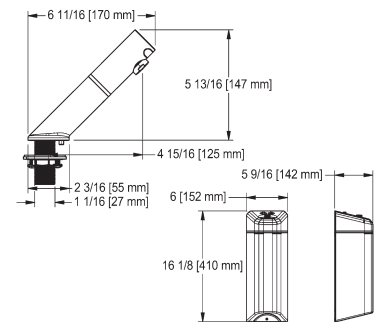


**\$ 3,013**



## Ozo-flo touch free faucet, deck mount, angled HWF23

Front to back  $6 \frac{11}{16}$ "  
 Height  $5 \frac{13}{16}$ "  
**Laminar flow** 5.7 Lpm/1.5 gpm  
 Includes ozone generator unit with plug-in transformer.  
 Requires thermostatic mixing valve, not included.  
 Recommended: MEDI-MIX.  
 Certified to ASME A112.18.1/B125.1, UL1951, UL979 for ozone features, and CSA C22.2, Numbers 68 and 14.

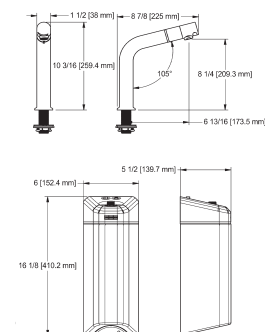


**\$ 3,046**



## Ozo-flo touch free faucet, deck mount, high neck angled HWF43

Front to back  $8 \frac{7}{8}$ "  
 Height  $10 \frac{3}{16}$ "  
**Laminar flow** 5.7 Lpm/1.5 gpm  
 Includes ozone generator unit with plug-in transformer.  
 Requires thermostatic mixing valve, not included.  
 Recommended: MEDI-MIX.  
 Certified to ASME A112.18.1/B125.1, UL1951, UL979 for ozone features, and CSA C22.2, Numbers 68 and 14.



**\$ 3,211**



## Accessories for Medi-flo & Ozo-flo



### Mixing valve

#### MEDI-MIX

Optional thermostatic mixing valve pre-programmed for Medi-flo HWSS2321W-00 sink and Ozo-flo faucets HWF05, HWF23, and HWF43. Adjustable outlet temperature range: 95 – 118°F (35 – 48°C). Factory set temperature 95°F (40°C).

\$ 225



### Handheld programmer

#### AC01-005

Allows for wireless adjustment of parameters such as sensor range, ozone generator run times, trap disinfection cycles, and data logging. May be used with multiple sinks or faucets.

\$ 656



### Replacement shroud for Medi-flo

#### MEDI-SHR

Removable replacement shroud for HWSS2321W-00. White polymer composite material.

\$ 303

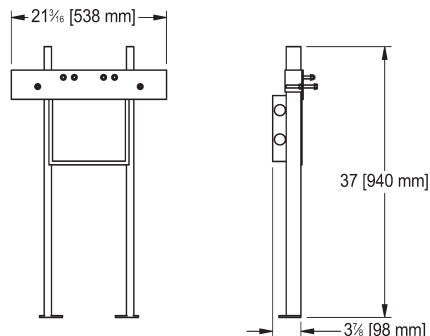


### In-wall carrier for Medi-flo

#### IWC2104

Floor mounted in-wall carrier designed for Medi-flo (HWSS2321W-00) sink. Preset stud locations simplify installation. Steel uprights with welded feet. Integrated rough in box. Hardware included.

\$ 322



# Nightingale

# Sinks



Pictured: AHWSS1720W-G Nightingale sink with faucet



### Hand hygiene sink AHWSS1720W-00

White solid surface hand hygiene sink with removable shroud. An anti-splash feature runs through the center of the sink to greatly reduce splashing. Bowl is sloped towards drain and the sink rim is shaped to prevent users from placing objects on it. Hand hygiene sinks are specifically designed for hand washing only. Accepts single hole faucets with lower mounting hardware less than 2 1/2" (63 mm) in diameter.

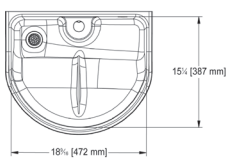
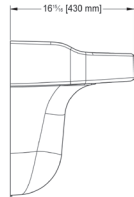
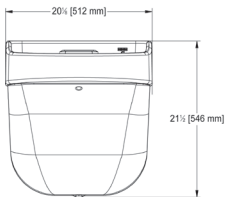
Left rear 1 1/2" (DN 40) waste location supplied with grid waste with removable cover. Sink is cUPC certified and compliant with CSA B45.5-11/IAPMO Z124-2011. Meets and exceeds various national healthcare standards; ie, CSAZ8000, CSAZ317.1-16. Wheelchair accessible: meets ADA, ANSI A117.1 and CSA B651-04 (check local codes to ensure compliance).

Outside dimensions **16 15/16 x 20 1/8 x 21 1/2"**

Inside bowl **15 1/4 x 18 5/8 x 9"**

Waste location **Left Rear**

**\$1,552**



### Optional Accessories

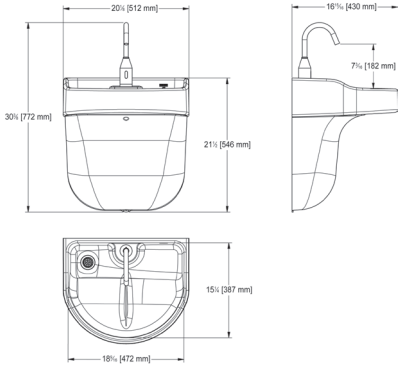
#### IWC2203

In-wall carrier

See details on p. 49



# Nightingale patient room sinks



## Hand hygiene sink with hands-free gooseneck faucet AHWSS1720W-G

White solid surface hand hygiene sink with removable shroud. An anti-splash feature runs through the center of the sink to greatly reduce splashing. Bowl is sloped towards drain and the sink rim is shaped to prevent users from placing objects on it. Hand hygiene sinks are specifically designed for hand washing only.

Left rear 1 1/2" (DN 40) waste location supplied with grid waste with removable cover. Hands free gooseneck **faucet** included. Faucet can be powered with included plug in transformer or with included battery pack which will last approximately 100,000 cycles on 4 x AA batteries (AC or DC or AC with battery backup). Flow rate 6 Lpm (1.5gpm) laminar flow.

Faucet is certified to ASME A112.18.1/CSA B125.1.

Sink is cUPC certified and compliant with CSA B45.5-11/IAPMO Z124-2011. Meets and exceeds various national healthcare standards; ie, CSAZ8000, CSAZ317.1-16. Wheelchair accessible: meets ADA, ANSI A117.1 and CSA B651-04 (check local codes to ensure compliance).

Outside dimensions **16 15/16 x 20 1/8 x 30 3/8"**

Inside bowl **15 1/4 x 18 5/8 x 9"**

Waste location **Left Rear**

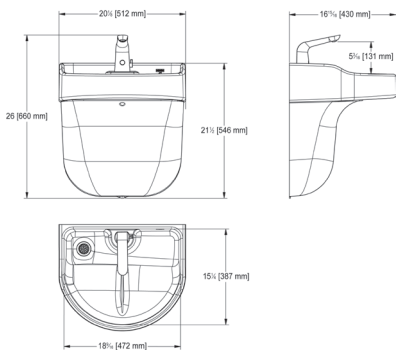
**\$1,706**

### Optional Accessories

#### IWC2203

In-wall carrier

See details on p. 49



## Hand hygiene sink with hands-free faucet AHWSS1720W-T

White solid surface hand hygiene sink with removable shroud. Hand hygiene sinks are specifically designed for hand washing only. An anti-splash feature runs through the center of the sink to greatly reduce splashing. Bowl is sloped towards drain and the sink rim is shaped to prevent users from placing objects on it.

Left rear 1 1/2" (DN 40) waste location supplied with grid waste with removable cover. Hands free **faucet** included with user temperature control. Faucet can be powered with included plug in transformer or with included battery pack which will last approximately 100,000 cycles on 4 x AA batteries (AC or DC or AC with battery backup). Flow rate 3.8Lpm (1.0gpm).

Faucet is certified to ASME A112.18.1/CSA B125.1.

Sink is cUPC certified and compliant with CSA B45.5-11/IAPMO Z124-2011. Meets and exceeds various national healthcare standards; ie, CSAZ8000, CSAZ317.1-16. Wheelchair accessible: meets ADA, ANSI A117.1 and CSA B651-04 (check local codes to ensure compliance).

Outside dimensions **16 15/16 x 20 1/8 x 26"**

Inside bowl **15 1/4 x 18 5/8 x 9"**

Waste location **Left Rear**

**\$1,748**

### Optional Accessories

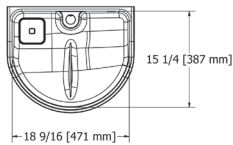
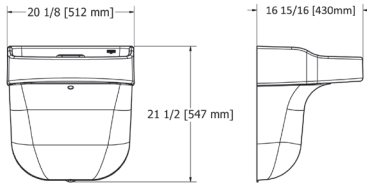
#### IWC2203

In-wall carrier

See details on p. 49



# Nightingale patient room sinks



## Hand hygiene sink with integrated faucet spout AHWSS1720WIS-00

White solid surface hand hygiene sink with integrated laminar flow water controls and removable shroud.

An anti-splash feature runs through the center of the sink to greatly reduce splashing. Bowl is sloped towards drain and sink rim is shaped to prevent users from placing objects on it. Hand hygiene sinks are specifically designed for hand washing only. Left rear 1 1/2" (DN 40) waste location with removable waste cover to prevent water from splashing directly into/out of the waste.

Laminar **spout** can be powered with included plug in transformer or with included battery pack which will last approximately 100,000 cycles on 4 x AA batteries. Flow rate 6 Lpm / 1.5 gpm.

Faucet is certified to ASME A112.18.1/CSA B125.1.

Nightingale sinks are cUPC certified and are compliant with CSA B45.5-11/IAPMO Z124-2011. Wheelchair accessible: meets ADA, ANSI A117.1 and CSA B651-04 (check local codes to ensure compliance).

Outside dimensions **16 15/16 x 20 1/8 x 21 1/2"**

Inside bowl **15 1/4 x 18 5/8 x 9"**

Waste location **Left Rear**

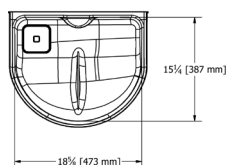
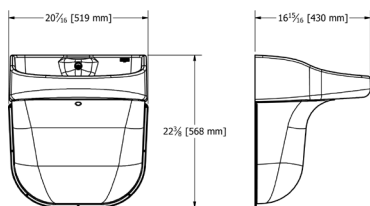
**\$1,984**

### Optional Accessories

#### IWC2203

In-wall carrier

See details on p. 49



## Hand hygiene sink with integrated faucet spout and antiligature shroud AHWSS1720WIS-AL

White solid surface hand hygiene sink with integrated laminar flow water controls and shroud. An anti-splash feature runs through the centre of the sink to greatly reduce splashing. Bowl is sloped towards drain and the sink rim is shaped to prevent users from placing objects on it. Hand hygiene sinks are specifically designed for hand washing only.

### Anti-ligature shroud.

Left rear 1 1/2" (DN 40) waste location with removable waste cover to prevent water from splashing directly into/out of the waste.

Laminar **spout** can be powered with included plug in transformer or with included battery pack which will last approximately 100,000 cycles on 4 x AA batteries.

Flow rate 6 Lpm / 1.5 gpm.

Faucet is certified to ASME A112.18.1/CSA B125.1.

cUPC certified, compliant with CSA B45.5-11/IAPMO Z124-2011. Wheelchair accessible: meets ADA, ANSI A117.1 and CSA B651-04 (check local codes to ensure compliance).

Outside dimensions **16 15/16 x 20 1/8 x 22 3/8"**

Inside bowl **15 1/4 x 18 5/8 x 9"**

Waste location **Left Rear**

**\$2,205**

### Optional Accessories

#### IWC2203

In-wall carrier

See details on p. 49

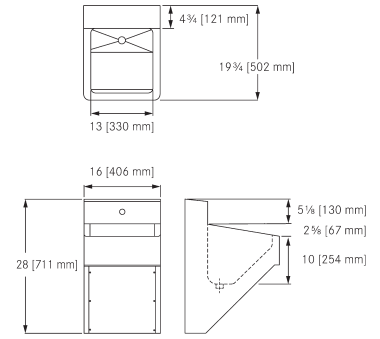


# Premium surgical scrub units



## Premium surgical scrub sink, 16" wide SSU1-2016-00

16 gauge (1.5 mm), type 304 (CNS 18/10) stainless steel. Radius covered bowl corners. Access panel for service and maintenance. Integral 1 1/2" (38 mm) waste with threaded tailpiece for use with McGuire 155WC tailpiece. This fixture is coated with antimicrobial product protection on all exposed surfaces of the sink. Certified to ASME A112.19.3/CSA B45.4. Outside dimensions **19 3/4 x 16 x 28"**  
Inside bowl **15 x 13 x 10"**  
Waste location **Center**



**\$ 9,059**



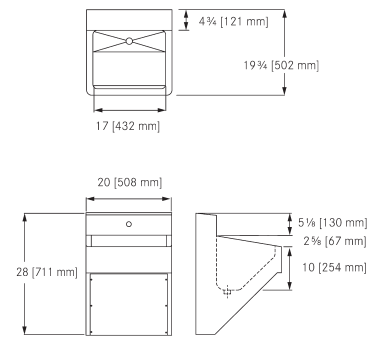
## Premium surgical scrub sink, 16" wide, without antimicrobial coating SSU1-2016-3

**\$ 8,606**



## Premium surgical scrub sink, 20" wide SSU1-2020-00

16 gauge (1.5 mm), type 304 (CNS 18/10) stainless steel. Radius covered bowl corners. Access panel for service and maintenance. Integral 1 1/2" (38 mm) waste with threaded tailpiece for use with McGuire 155WC tailpiece. This fixture is coated with antimicrobial product protection on all exposed surfaces of the sink. Certified to ASME A112.19.3/CSA B45.4. Outside dimensions **19 3/4 x 20 x 28"**  
Inside bowl **15 x 17 x 10"**  
Waste location **Center**

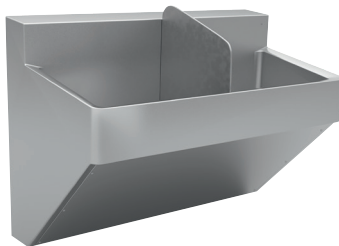


**\$ 9,318**



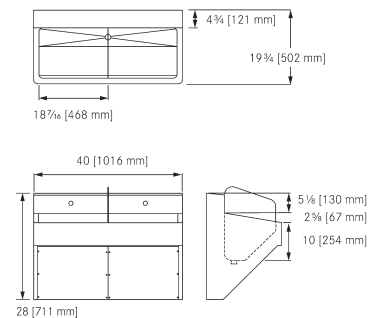
## Premium surgical scrub sink, 20" wide, without antimicrobial coating SSU1-2020-3

**\$ 8,852**



## Premium surgical scrub sink, 40" wide SSU2-2040-00

16 gauge (1.5 mm), type 304 (CNS 18/10) stainless steel. Radius covered bowl corners. Divider is removable for thorough cleaning. Access panel for service and maintenance. Integral 1 1/2" (38 mm) waste with threaded tailpiece for use with McGuire 155WC tailpiece. This fixture is coated with antimicrobial product protection on all exposed surfaces of the sink. Certified to ASME A112.19.3/CSA B45.4. Outside dimensions **19 3/4 x 40 x 28"**  
Inside bowl **15 x 18 7/16 x 10"**  
Waste location **Center**



**\$ 12,683**



## Premium surgical scrub sink, 40" wide, without antimicrobial coating SSU2-2040-3

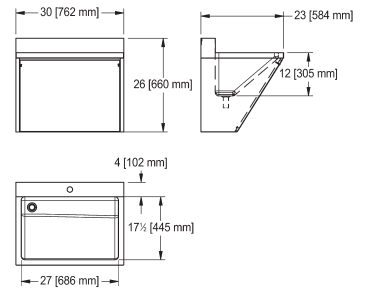
**\$ 12,049**

# Classic surgical scrub sinks



## Classic scrub sink, single SSU1-00

Single compartment surgical scrub station. 16 gauge (1.5 mm), type 304 (CNS 18/10) stainless steel. Polished #4 satin finish. Radius coved bowl corners. Bowl slopes from 10" to 12" from right to left. Access panel for service and maintenance. Franke hygienic 1 1/2" (38 mm) offset waste with integral tailpiece (no separate waste fitting required). Supplied with wall hanger brackets. Certified to ASME A112.19.3/CSA B45.4. Outside dimensions **23 x 30 x 26"**  
Inside bowl **17 1/2 x 27 x 12"**  
Waste location **Left Back**

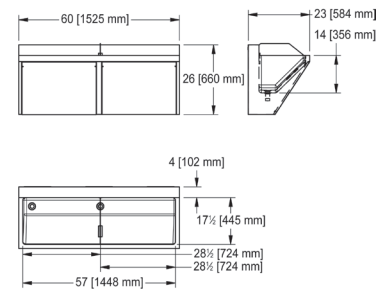


**\$ 5,849**



## Classic scrub sink, double SSU2-00

Double compartment surgical scrub station. 16 gauge (1.5 mm), type 304 (CNS 18/10) stainless steel. Polished #4 satin finish. Radius coved bowl corners. Bowl slopes from 12" to 14" from right to left. Removable divider with no tracks in bowl. Access panel for service and maintenance. Franke hygienic 1 1/2" (38 mm) offset wastes with integral tailpieces (no separate waste fittings required). Supplied with wall hanger brackets. Certified to ASME A112.19.3/CSA B45.4. Outside dimensions **23 x 60 x 26"**  
Inside bowl **17 1/2 x 57 x 14"**  
Waste locations **Left and Center**

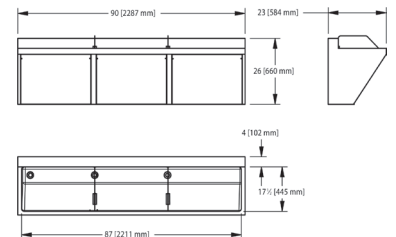


**\$ 6,804**



## Classic scrub sink, triple SSU3-00

Triple compartment surgical scrub station. 16 gauge (1.5 mm), type 304 (CNS 18/10) stainless steel. Polished #4 satin finish. Radius coved bowl corners. Bowl slopes from 10" to 14" from right to left. Removable dividers with no tracks in bowl. Access panel for service and maintenance. Franke hygienic 1 1/2" (38 mm) offset wastes with integral tailpieces (no separate waste fittings required). Supplied with wall hanger brackets. Certified to ASME A112.19.3/CSA B45.4. Outside dimensions **23 x 90 x 26"**  
Inside bowl **17 1/2 x 87 x 14"**  
Waste location **Left, Center and Center**



**\$ 14,261**



# Classic surgical scrub sink bundles with valves and hands-free faucets



## Classic scrub sink bundle, single SSU1-10

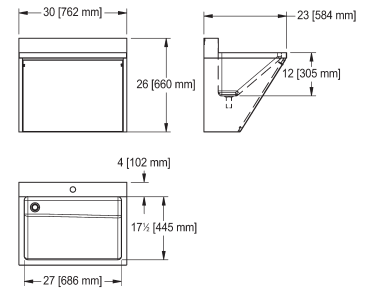
Single compartment surgical scrub station. 16 gauge (1.5 mm), type 304 (CNS 18/10) stainless steel. Polished #4 satin finish. Radius coved bowl corners. Bowl slopes from 10" to 12" from right to left. Access panel for service and maintenance. Franke hygienic 1 1/2" (38 mm) offset waste with integral tailpiece (no separate waste fitting required). Supplied with wall hanger brackets. Certified to ASME A112.19.3-2008 / CSA B45.4-08. Outside dimensions **23 x 30 x 26"**

Inside bowl **17 1/2 x 27 x 12"**

Waste location **Left Back**

Sink bundle includes:

- 1 - **MIX-LF** thermostatic mixing valve
- 1 - **HHF180-6L** gooseneck hands-free faucet



**\$ 6,791**



## Classic scrub sink bundle, double SSU2-10

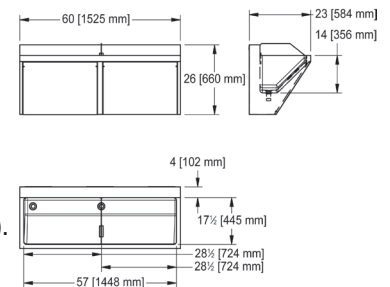
Double compartment surgical scrub station. 16 gauge (1.5 mm), type 304 (CNS 18/10) stainless steel. Polished #4 satin finish. Radius coved bowl corners. Bowl slopes from 12" to 14" from right to left. Removable divider with no tracks in bowl. Access panel for service and maintenance. Franke hygienic 1 1/2" (38 mm) offset wastes with integral tailpieces (no separate waste fittings required). Supplied with wall hanger brackets. Certified to ASME A112.19.3-2008 / CSA B45.4-08. Outside dimensions **23 x 60 x 26"**

Inside bowl **17 1/2 x 57 x 14"**

Waste locations **Left and Center**

Sink bundle includes:

- 2 - **MIX-LF** thermostatic mixing valves
- 2 - **HHF180-6L** gooseneck hands-free faucets



**\$ 8,700**



## Classic scrub sink bundle, triple SSU3-10

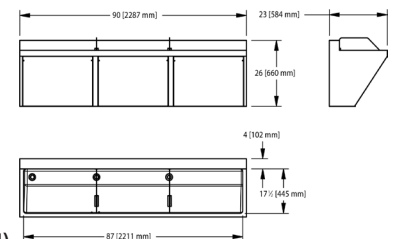
Triple compartment surgical scrub station. 16 gauge (1.5 mm), type 304 (CNS 18/10) stainless steel. Polished #4 satin finish. Radius coved bowl corners. Bowl slopes from 10" to 14" from right to left. Removable dividers with no tracks in bowl. Access panel for service and maintenance. Franke hygienic 1 1/2" (38 mm) offset wastes with integral tailpieces (no separate waste fittings required). Supplied with wall hanger brackets. Certified to ASME A112.19.3-2008 / CSA B45.4-08. Outside dimensions **23 x 90 x 26"**

Inside bowl **17 1/2 x 87 x 14"**

Waste location **Left, Center and Center**

Sink bundle includes:

- 3 - **MIX-LF** thermostatic mixing valves
- 3 - **HHF180-6L** gooseneck hands-free faucets



**\$ 16,697**

# Clinical Wash Basins

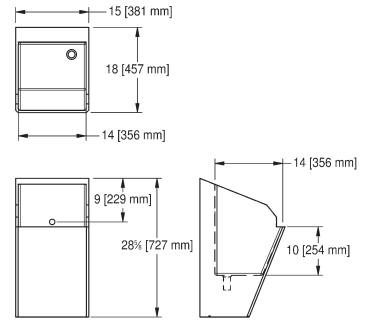


## Clinical wash basin, for splash mount faucet HWSS1518P-00

18 gauge (1.2 mm), type 304 (CNS 18/10) stainless steel. Polished #4 satin finish. Radius coved bowl corners. Constructed with an integral shroud. High back and side walls contain splashing and protect adjacent surfaces from contamination. Integral 1 1/2" (38 mm) waste welded to bottom of the sink bowl. Waste is left open and shaped to prevent the insertion of plugs or strainers to comply with national healthcare guidelines.

This fixture has antimicrobial nanocoating product protection on all exposed surfaces of the sink. Recommended splash mount faucet **HHF180-6L-W**. Certified to ASME A112.19.3/CSA B45.4. Outside dimensions **18 x 15 x 28 5/8"**  
Inside bowl **14 x 14 x 10"**  
Waste location **Right Back**

**\$ 1,965**

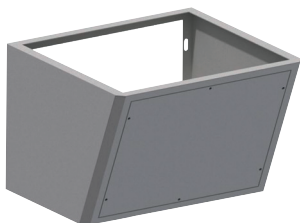
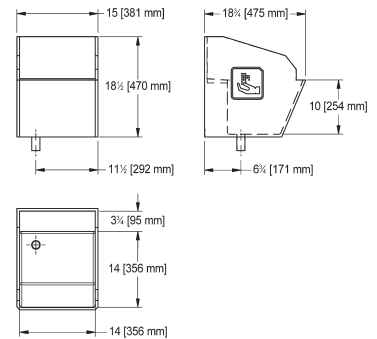


## Clinical wash basin, dual mount faucet options HWS1414P-00

18 gauge (1.2 mm), type 304 (CNS 18/10) stainless steel. Polished #4 satin finish. Radius coved bowl corners. Constructed with an integral shroud. High back and side walls contain splashing and protect adjacent surfaces from contamination. Integral 1 1/2" (38 mm) waste welded to bottom of the sink bowl. Waste is left open and shaped to prevent the insertion of plugs or strainers to comply with national healthcare guidelines.

This fixture is coated with antimicrobial product protection on all exposed surfaces of the sink. Recommended deck mount faucet **HHF180-6L**. Certified to ASME A112.19.3/CSA B45.4. Outside dimensions **18 3/4 x 15 x 18 1/2"**  
Inside bowl **14 x 14 x 10"**  
Waste locations **Left Back**

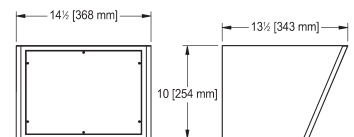
**\$ 2,087**



## Shroud for HWS1414P-00 HWS-RS-00

Stainless steel removable shroud for HWS1414P-00 hand wash basin. Overall dimensions **13 1/2 x 14 1/2 x 10"**

**\$ 325**



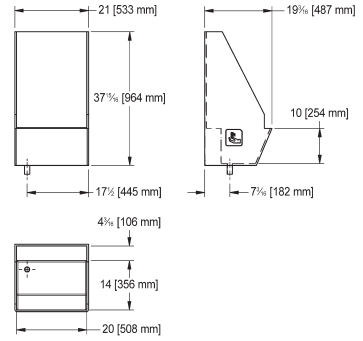
# Clinical Wash Basins



## Clinical wash basin, large back splash HWS1420P-00

18 gauge (1.2 mm), type 304 (CNS 18/10) stainless steel. Polished #4 satin finish. Radius coved bowl corners. Offset waste with open access to allow for easy cleaning of P-Trap. Integral 1 1/2" (38 mm) waste welded to bottom of the sink bowl.

This fixture is coated with antimicrobial product protection on all exposed surfaces of the sink. Recommended deck mount faucet **HHF180-6L**. Certified to ASME A112.19.3/CSA B45.4. Outside dimensions **19 3/16 x 21 x 37 15/16"** Inside bowl **14 x 20 x 10"** Waste location **Left Back**



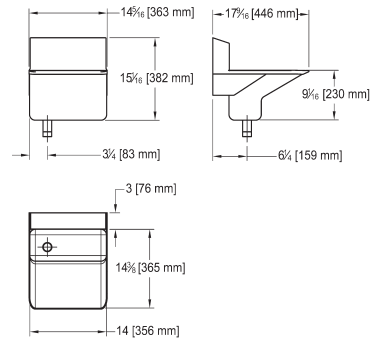
**\$ 3,298**



## Clinical wash basin, wheelchair accessible AWHB1414P-7MOD

18 gauge (1.2 mm), type 304 (CNS 18/10) stainless steel. Polished #4 satin finish. Radius coved bowl corners. Offset waste with open access to allow for easy cleaning of P-Trap. Integral 1 1/2" (38 mm) waste welded to bottom of the sink bowl.

This fixture is coated with antimicrobial product protection on all exposed surfaces of the sink. Wheelchair accessible: meets ADA, ANSI A117.1. Certified to ASME A112.19.3/CSA B45.4. Outside dimensions **23 x 60 x 26"** Inside bowl **17 1/2 x 57 x 14"** Waste location **Left Back**



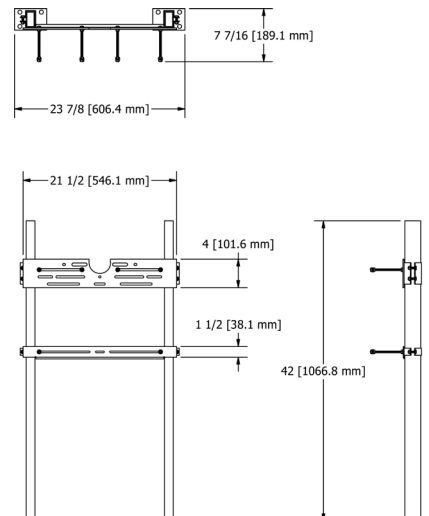
**\$ 5,895**



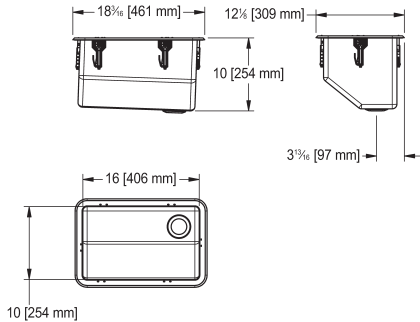
## In-wall carrier for wall hung basins IWC2203

Universal floor mounted in-wall carrier designed for wall hung basins and water coolers. Steel uprights with welded feet. Includes lower bracket for added support. Mounting hardware included. Outside dimensions **7 7/16 x 23 7/8 x 42"**

**\$ 322**



## Dual mount medical hand wash sinks



### Topmount or undermount single bowl medical hand wash sink HWS0610P-3

Single compartment self rimming topmount (or undermount) medical hand wash sink with faucet ledge. 18 gauge (1.2 mm), type 304 stainless steel. Sink compartment is angled to reduce splashing and waste is offset to reduce the risk of any bacteria contamination and splashing. Exposed surfaces are #4 satin finished. Undercoated to reduce condensation and resonance. Includes waste fitting, sound deadening pads, factory applied rim seal, cutout template, and factory installed EZ TORQUE™ fasteners. Certified to ASME A112.19.3/CSA B45.4.

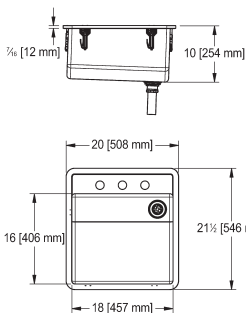
Right rear waste location. Includes 1 1/2" (38 mm) duplex waste assembly and 1 1/2" (DN38) brass tailpiece.

Custom, non-returnable  
Outside dimensions **12 1/8 x 18 3/16"**

Inside bowl **10 x 16 x 10"**

Waste location **Right rear**

**\$ 699**



### Topmount or undermount single bowl medical hand wash sink with faucet ledge HWS6810P-3

Single compartment self rimming topmount (or undermount) medical hand wash sink with faucet ledge. 18 gauge (1.2 mm), type 304 stainless steel. Sink compartment is angled to reduce splashing and waste is offset to reduce the risk of any bacteria contamination and splashing. Exposed surfaces are #4 satin finished. Undercoated to reduce condensation and resonance. Includes waste fitting, sound deadening pads, factory applied rim seal, cutout template, and factory installed EZ TORQUE™ fasteners. Certified to ASME A112.19.3/CSA B45.4.

Right rear waste location. Includes 1 1/2" (38 mm) duplex waste assembly and 1 1/2" (DN38) brass tailpiece.

Custom, non-returnable.  
Outside dimensions **21 1/2 x 20"**

Inside bowl **16 x 18 x 10"**

Waste location **Right rear**

**\$ 936**

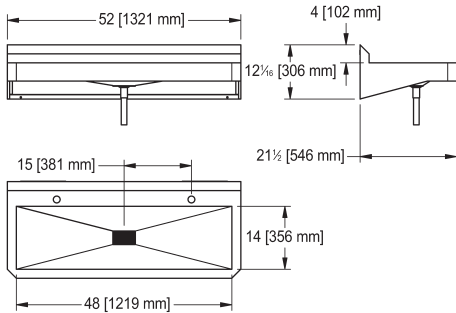


# Hand Wash Basins



Pictured: AWHBS2419-7 basins with HHF23T faucets

# Designer, semi-public hand wash basins



## Designer double hand wash basin WHB5222-7

Designer wall hung basin. 16 gauge (1.8 mm), type 304 (CNS 18/10) stainless steel. Exposed surfaces are polished to a #4 satin finish. Includes 1 1/4" (DN 32) waste fitting. Features a vandal-resistant laser cut pyramid waste cover. Unit is installed using supplied wall brackets. Certified to ASME A112.19.3/CSA B45.4.

Optional wall carrier **IWC2203** is available.

### Optional shroud **WHB5222-RS**

Wheelchair accessible: meets ADA (Americans with disabilities act guidelines), ANSI A117.1 (Accessible and usable buildings and facilities), and CSA B651-04. Check local codes to ensure compliance.

Outside dimensions **21 1/2 x 52 x 12 1/16"**

Inside bowl **21 1/2 x 48 x 5"**

Waste location **Center**

**\$ 2,945**

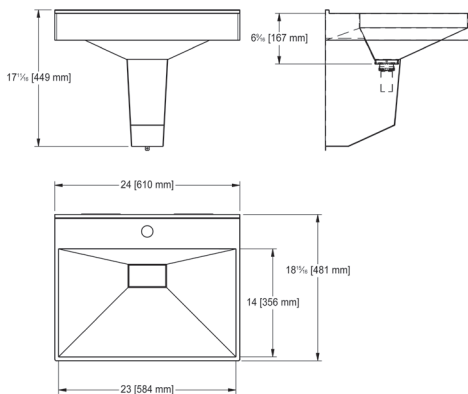
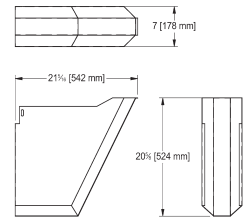
## Removable shroud for WHB5222-7 WHB5222-RS

18 gauge (1.2 mm), type 304 (CNS 18/10) stainless steel. Satin finish.

Shroud extends 20 9/16" below the bottom of the basin.

Outside dimensions **21 5/16 x 7 x 20 5/8"**

**\$ 271**



## Cleopatra single bowl hand wash basin AWHBS2419-7

Designer wall hung basin. 18 gauge (1.2 mm), type 304 (CNS 18/10) stainless steel. Exposed surfaces are polished to a #4 satin finish. Basin features vandal-resistant waste cover attached via concealed cable. Integral grid waste opening and threaded connection underneath to accept a 1 1/2" tailpiece (included). Separate waste fitting not required.

Basin is installed using supplied wall brackets, recommended in-wall carrier IWC2203 sold separately.

Certified to ASME A112.19.3/CSA B45.4. Wheelchair accessible: meets ADA (Americans with Disabilities Act) guidelines, ANSI A117.1 (Accessible and usable buildings and facilities), and CSA B651-04 (Accessible design for the built environment). Check local codes to ensure compliance.

Outside dimensions **18 15/16 x 24 x 17 11/16"**

Inside bowl **16 x 14 x 6 9/16"**

Waste location **Center back**

**\$ 1,542**

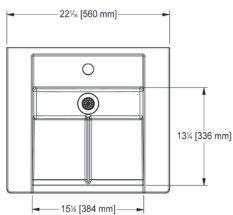
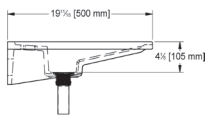
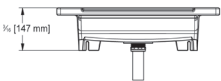
### Optional wall carrier

#### IWC2203

In-wall carrier

See details on p. 49





cUPC®

### Wheelchair accessible wall hung basin AWHB2220W-3-1

Single wash basin made from a unique Franke resin-bonded solid surface material with pore-free, smooth UV resistant gelcoat with high-polish surface. Shallow basin featuring a splash reduction rib. 1 1/2" grid waste included. Unit is installed using supplied wall hanger brackets.

Optional in-wall carrier IWC2203 is available.

cUPC certified and compliant with CSA B45.5- 11/IAPMO Z124-2011.

Wheelchair accessible: meets ADA (Americans with Disabilities Act), ANSI A117.1 (Accessible and usable buildings and facilities) and CSA B651-04 (check local codes to ensure compliance).

Outside dimensions **18 15/16" x 24" x 17 11/16"**

Inside bowl **16" x 14" x 6 9/16"**

Waste location **Center back**

**\$1,297**

#### Optional wall carrier

**IWC2203**

In-wall carrier

See details on p. 49



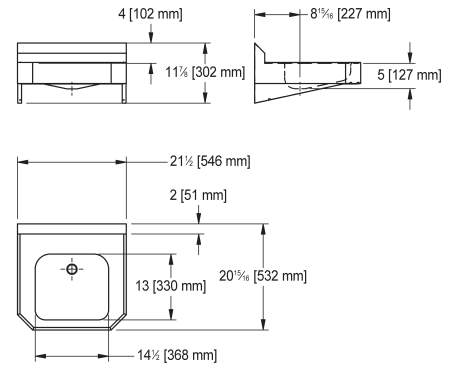
## Designer, semi-public hand wash basins



### Designer hand wash basin, no overflow WHB2221-7

18 gauge (1.2 mm), type 304 (CNS 18/10) stainless steel. Exposed surfaces are #4 satin finish. Designed for either new installation or replacement/retrofit onto select vitreous china wall carriers. Edge is formed as an anti-spill rim. Includes one piece wall hanger bracket. 1 1/4" (32 mm) grid strainer waste kit included. Certified to ASME A112.19.3/CSA B45.4. Outside dimensions **20<sup>15/16</sup> x 21 1/2 x 11 1/4"** Inside bowl **13 x 14 1/2 x 5"** Waste location **Center back** Overflow **No**

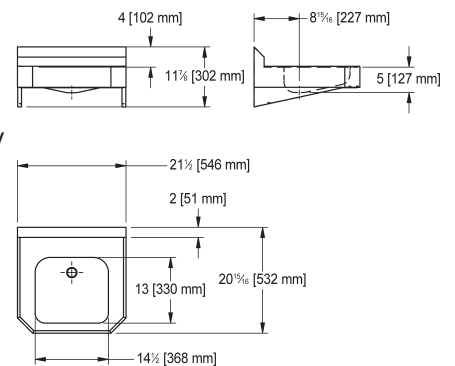
**\$ 1,860**



### Designer hand wash basin, with overflow WHB2221-8

18 gauge (1.2 mm), type 304 (CNS 18/10) stainless steel. Exposed surfaces are #4 satin finish. Designed for either new installation or replacement/retrofit onto select vitreous china wall carriers. Edge is formed as an anti-spill rim. Includes one piece wall hanger bracket. Accepts 1 1/4" (32 mm) waste kit with overflow (not included). Order model #3700. Certified to ASME A112.19.3/CSA B45.4. Outside dimensions **20<sup>15/16</sup> x 21 1/2 x 11 1/4"** Inside bowl **13 x 14 1/2 x 5"** Waste location **Center back** Overflow **Yes**

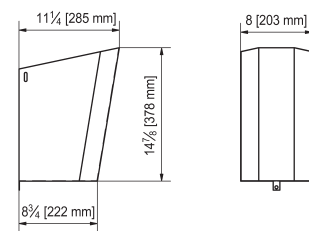
**\$ 1,987**



### Removable shroud for WHB2221 basins WHB2221-RS

Gauge 18  
Satin finish Stainless Steel  
Outside dimensions **11 1/4 x 8 x 14 7/8"**

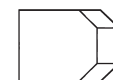
**\$ 271**



### Cover plate for WHB2221-RS shroud WHB2221-UC

Bottom cover plate for WHB2221-RS shroud prevents unwanted access to plumbing fixtures. Overall dimensions **21 x 21"**

**\$ 272**





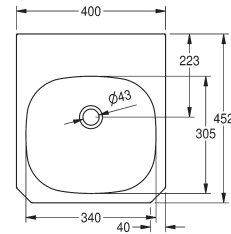
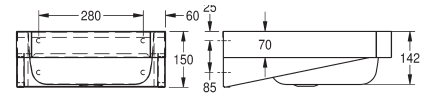
## Designer, semi-public hand wash basins



### Designer basin WT400C-7

Designer single wash basin for wall mounting. 19 gauge (1.0 mm) seamless welded bowl. Front panel has 45° corner edges.

Exposed surfaces are polished to a satin finish. Accepts 1/4" (32 mm) waste kit, not included. Basin is installed using prewelded mounting brackets. Optional shroud **WT-RS** available. Certified to ASME A112.19.3/CSA B45.4. Outside dimensions **17 13/16 x 15 3/4"** Inside bowl **12 x 13 3/8 x 5 9/16"** Waste location **Center back**



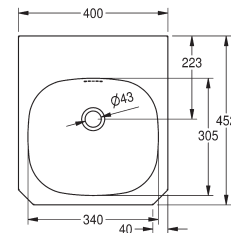
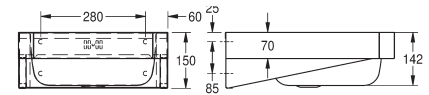
**\$ 940**



### Designer basin with overflow WT400C-8

Designer single wash basin for wall mounting. 19 gauge (1.0 mm) seamless welded bowl. Front panel has 45° corner edges.

Exposed surfaces are polished to a satin finish. Accepts 1/4" (32 mm) overflow waste kit, not included. Basin is installed using prewelded mounting brackets. Optional shroud **WT-RS** available. Certified to ASME A112.19.3/CSA B45.4. Outside dimensions **17 13/16 x 15 3/4"** Inside bowl **12 x 13 3/8 x 5 9/16"** Waste location **Center back**



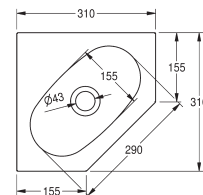
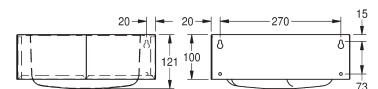
**\$ 1,194**



### Corner wall mount hand wash basin WT310E-7

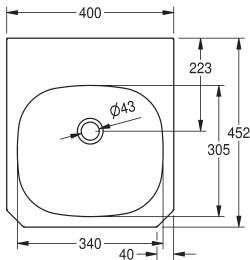
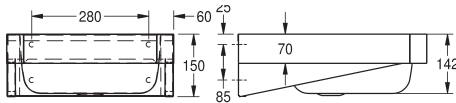
18 gauge (1.2 mm), type 304 (CNS 18/10) stainless steel.

Exposed surfaces are brushed finish. Includes installation kit. Accepts 1/4" (32 mm waste kit), not included. Certified to ASME A112.19.3/CSA B45.4. Outside dimensions **12 3/16 x 12 3/16"** Inside bowl **6 1/8 x 11 7/16 x 4 3/4"** Waste location **Center**



**\$ 716**

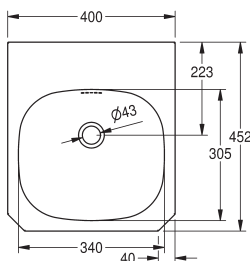
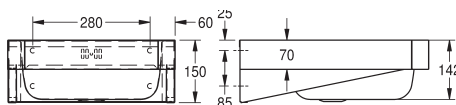
## Designer, semi-public hand wash basins



### Designer basin WT500C-7

Designer single wash basin for wall mounting.  
19 gauge (1.0 mm) seamless welded bowl.  
Front panel has 45° corner edges.  
Exposed surfaces are polished to a satin finish.  
Accepts 1 1/4" (32 mm) waste kit, not included.  
Basin is installed using prewelded mounting brackets.  
Optional shroud **WT-RS** available.  
Certified to ASME A112.19.3/CSA B45.4.  
Outside dimensions **17 9/16" x 19 11/16"**  
Inside bowl **11 7/16" x 15 3/4" x 5 9/16"**  
Waste location **Center back**

**\$1,054**



### Designer basin with overflow WT500C-8

Designer single wash basin for wall mounting.  
19 gauge (1.0 mm) seamless welded bowl.  
Front panel has 45° corner edges.  
Exposed surfaces are polished to a satin finish.  
Accepts 1 1/4" (32 mm) waste kit with overflow, not included.  
Basin is installed using prewelded mounting brackets.  
Optional shroud **WT-RS** available.  
Certified to ASME A112.19.3/CSA B45.4.  
Outside dimensions **17 9/16" x 19 11/16"**  
Inside bowl **11 7/16" x 15 3/4" x 5 9/16"**  
Waste location **Center back**

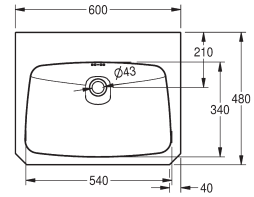
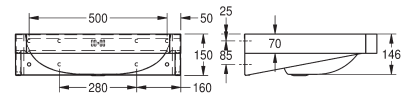
**\$1,307**

## Designer, semi-public hand wash basins



### Designer basin WT600C-7

Designer single wash basin for wall mounting.  
19 gauge (1.0 mm) seamless welded bowl.  
Front panel has 45° corner edges.  
Exposed surfaces are polished to a satin finish.  
Accepts 1 1/4" (32 mm) waste kit, not included.  
Basin is installed using prewelded mounting brackets.  
Wheelchair accessible.  
Optional shroud **WT-RS** available.  
Certified to ASME A112.19.3/CSA B45.4.  
Outside dimensions **18 7/8 x 23 5/8"**  
Inside bowl **13 3/8 x 21 1/4 x 5 3/4"**  
Waste location **Center back**

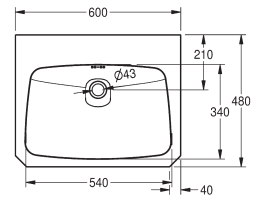
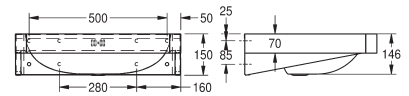


**\$ 1,139**

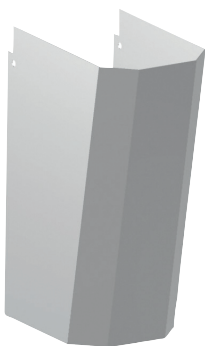


### Designer basin with overflow WT600C-8

Designer single wash basin for wall mounting.  
19 gauge (1.0 mm) seamless welded bowl.  
Front panel has 45° corner edges.  
Exposed surfaces are polished to a satin finish.  
Accepts 1 1/4" (32 mm) waste kit with overflow, not included.  
Basin is installed using prewelded mounting brackets.  
Wheelchair accessible.  
Optional shroud **WT-RS** available.  
Certified to ASME A112.19.3/CSA B45.4.  
Outside dimensions **18 7/8 x 23 5/8"**  
Inside bowl **13 3/8 x 21 1/4 x 5 3/4"**  
Waste location **Center back**



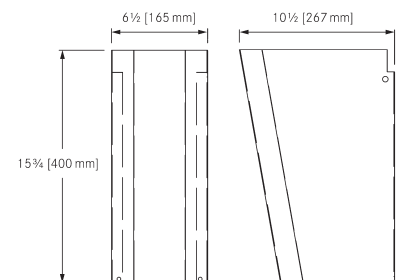
**\$ 1,393**



### Shroud for WT400C/WT500C/WT600C basins WT-RS

Trap cover manufactured from 18 gauge, type 304 stainless steel. Exposed surfaces are satin finished. For wall mount installation of wash basin models WT400C, WT500C, WT600C and WHB1617 series.  
Outside dimensions **10 1/2 x 6 1/2 x 15 3/4"**

**\$ 640**



# Hand wash basins, institutional



**For wall mount faucet, 6" deep**

**WHB1616-3**

Gauge 18

Outside dimensions 16 1/4 x 17"

Inside bowl 12 x 14 x 6"

#4 satin finish

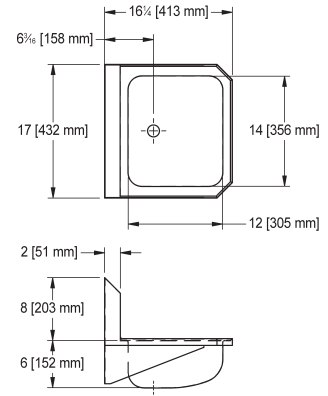
Includes 1 1/2" (38 mm) duplex waste assembly with rubber stopper.

One piece wall hanger included, separate sink carrier not required.

Optional shroud **WT-RS** sold separately

Waste location **Center back**

**\$ 865**



**Wall hung basin, 1 1/2" waste**

**WHB1617-3**

Gauge 18

Outside dimensions 17 x 16 1/2"

Inside bowl 12 x 14 x 6"

#4 satin finish

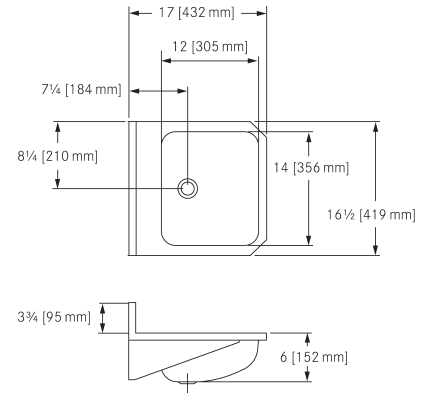
Includes 1 1/2" (38 mm) duplex waste assembly with rubber stopper.

One piece wall hanger included, separate sink carrier not required.

Optional shroud **WT-RS** sold separately

Waste location **Center back**

**\$ 864**



**Wall hung basin with overflow, 1 1/2" waste**

**WHB1617-6**

Gauge 18

Outside dimensions 17 x 16 1/2"

Inside bowl 12 x 14 x 6"

#4 satin finish

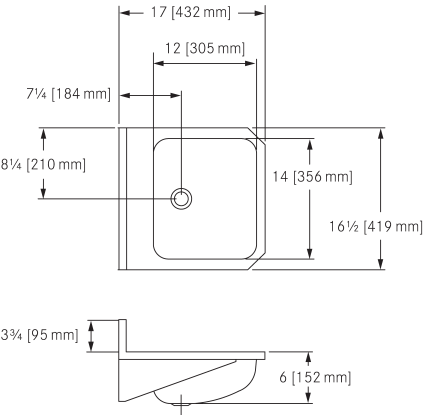
Includes 1 1/2" (38 mm) duplex waste assembly with rubber stopper, brass tailpiece, and overflow.

One piece wall hanger included, separate sink carrier not required.

Optional shroud **WT-RS** sold separately

Waste location **Center back**

**\$ 875**



**Wall hung basin, 1 1/4" waste**

**WHB1617-7**

Gauge 18

Outside dimensions 17 x 16 1/2"

Inside bowl 12 x 14 x 6"

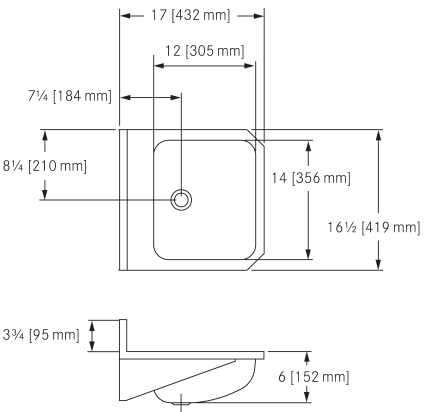
#4 satin finish

Accepts 1 1/4" (32 mm) waste assembly, not included.

Optional shroud **WT-RS** sold separately

Waste location **Center back**

**\$ 796**



## Hand wash basins, institutional



### Wall hung basin, 1 1/2" waste WHB1819-3

Wash basin for wall mounting. 18 gauge (1.2 mm) stainless steel. Exposed surfaces are polished to a #4 satin finish.

Includes 1 1/2" (38 mm) duplex waste assembly with rubber stopper.

16 gauge side wall brackets and one piece wall hanger. Separate sink carrier is not required.

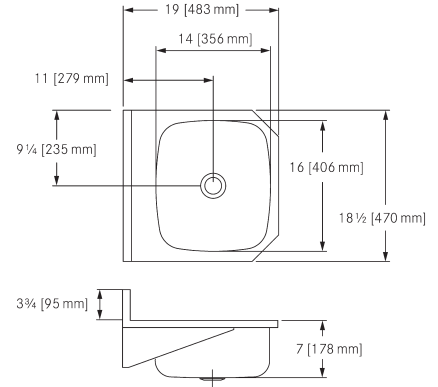
Certified to ASME A112.19.3/CSA B45.4.

Outside dimensions **19 x 18 1/2"**

Inside bowl **14 x 16 x 7"**

Waste location **Center**

**\$ 854**



### Wall hung basin with overflow, 1 1/2" waste WHB1819-6

Wash basin for wall mounting. 18 gauge (1.2 mm) stainless steel. Exposed surfaces are polished to a #4 satin finish.

Includes 1 1/2" (38 mm) duplex waste assembly with rubber stopper, brass tailpiece and overflow.

16 gauge side wall brackets and one piece wall hanger. Separate sink carrier is not required.

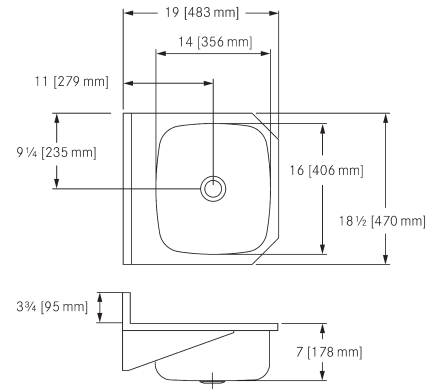
Certified to ASME A112.19.3/CSA B45.4.

Outside dimensions **19 x 18 1/2"**

Inside bowl **14 x 16 x 7"**

Waste location **Center**

**\$ 968**



### Wall hung basin, 1 1/4" waste WHB1819-7

Wash basin for wall mounting. 18 gauge (1.2 mm) stainless steel. Exposed surfaces are polished to a #4 satin finish.

Accepts 1 1/4" (32 mm) waste assembly, not included.

16 gauge side wall brackets and one piece wall hanger. Separate sink carrier is not required.

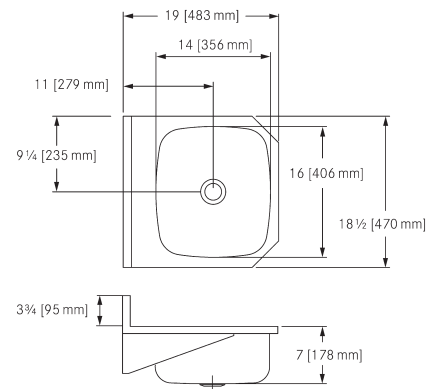
Certified to ASME A112.19.3-2008 / CSA B45.4-08

Outside dimensions **19 x 18 1/2"**

Inside bowl **14 x 16 x 7"**

Waste location **Center**

**\$ 800**



## Hand wash basins, institutional



### Hand wash basin with side side splashes WHB1716SPL-3

18 gauge (1.2 mm), type 304 (CNS 18/10) stainless steel. Exposed surfaces are #4 satin finish.

Radius coved bowl corners.

Includes one piece wall hanger bracket.

Includes 1 1/2" (38 mm) duplex waste assembly with rubber stopper.

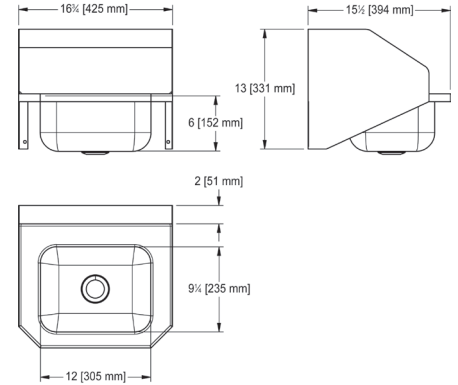
Certified to ASME A112.19.3/CSA B45.4.

Outside dimensions **15 1/2" x 16 3/4" x 13"**

Inside bowl **9 1/4" x 12 x 6"**

Waste location **Center**

**\$ 895**



### Hand wash basin with shroud WHBS181910-3

18 gauge (1.2 mm), type 304 (CNS 18/10) stainless steel. Exposed surfaces are #4 satin finish.

Includes one piece wall hanger bracket. Separate sink carrier not required.

Includes 1 1/2" (38 mm) duplex waste assembly with rubber stopper.

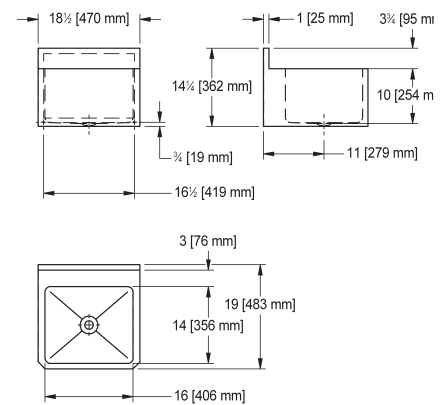
Certified to ASME A112.19.3/CSA B45.4.

Outside dimensions **19 x 16 x 14 1/2"**

Inside bowl **14 x 16 x 10"**

Waste location **Center**

**\$ 3,376**



### Wall service sink, 14 gauge WSS6713

14 gauge (2.0 mm), type 304 (CNS 18/10) stainless steel. Exposed surfaces are #4 satin finish.

Radius coved bowl corners.

Includes 3 1/2" (89 mm) crumb cup strainer waste kit with 1 1/2" brass tailpiece.

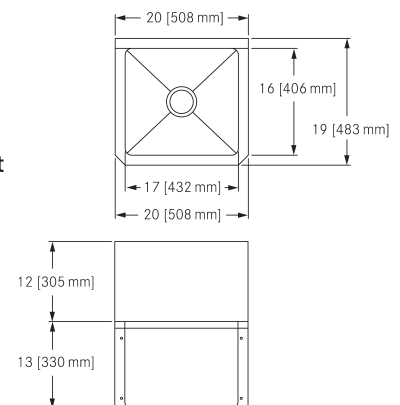
Certified to ASME A112.19.3/CSA B45.4.

Outside dimensions **19 x 20 x 25"**

Inside bowl **16 x 17 x 13"**

Waste location **Center**

**\$ 5,446**





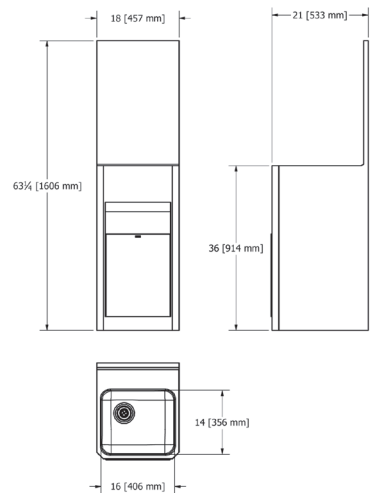
Pictured: HWS1821-I-3 sink with HHF23T faucet, SD01-002CF soap dispenser



**Stand alone hand wash sink  
HWS1821-I-3**

Hand wash station with backsplash and integrated waste bin is designed for private and public spaces. Fully hand fabricated from 18 gauge, type 304 stainless steel. Exposed surfaces are satin finished. 1 1/2" grid waste fitting is included. Certified to ASME A112.19.3-2008 / CSA B45.4-08. Outside dimensions **21 x 18 x 63 1/4"** Inside bowl **14 x 16 x 9"** Waste location **Left rear**

**\$ 6,720**



# Washroom Accessories



71	Faucets
73	Washroom accessories
74	Aqua-foam soap dispensers
75	Multi-feed soap dispensers



# Aquarius faucets

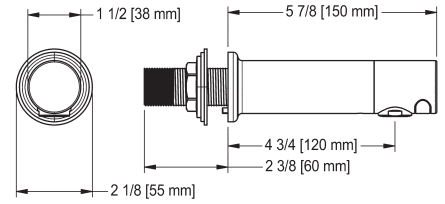


## Aquarius wall mount AC powered faucet AT02-005AC

Polished finish, regular flow 5 Lpm/ 1.3 gpm  
Type 316 stainless steel hands-free faucet. Wall mount installation, high polish finish.  
AC plug-in power option.  
Highly intelligent electronic controls with programmable sensor ranges, run times, and automatic purging to eliminate stagnant water.  
Certified to ASME A112.18.1 / CSA B125.1

Faucet dimensions 1 1/2 x 5 7/8"

\$ 1,132



## Aquarius wall mount AC powered faucet AT02-005AC-LF

Polished finish, low flow 1.3 Lpm / 0.35 gpm

\$ 1,132

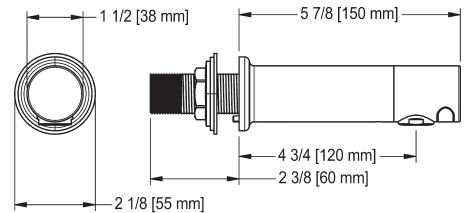


## Aquarius wall mount DC powered faucet AT02-005DC

Polished finish, regular flow 5 Lpm/ 1.3 gpm  
Type 316 stainless steel hands-free faucet. Wall mount installation, high polish finish.  
DC battery power option.  
Highly intelligent electronic controls with programmable sensor ranges, run times, and automatic purging to eliminate stagnant water.  
Certified to ASME A112.18.1 / CSA B125.1

Faucet dimensions 1 1/2 x 5 7/8"

\$ 1,179



## Aquarius wall mount DC powered faucet AT02-005DC-LF

Polished finish, low flow 1.3 Lpm/ 0.35 gpm

\$ 1,179



## Handheld programmer for Aquarius faucets AC01-005

Wireless adjustment of faucet parameters such as sensor range, run times, and automatic purging. Data logging to review usage. Can be used with multiple faucets. Compatible with Aquarius faucets, Medi-flo sink and Ozo-flo faucets.

\$ 656



## Faucets



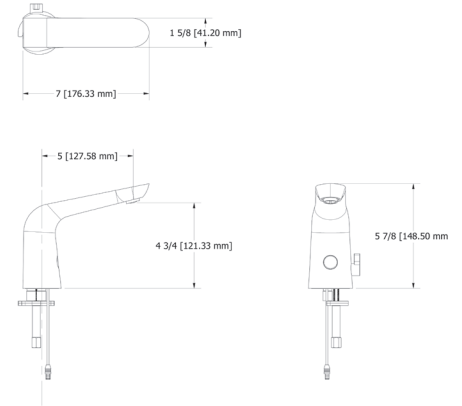
### Electronic faucet, temperature adjust handle HHF23T

Hands free faucet for deck mounting with IR sensor near faucet base. 3.8 Lpm/ 1.0 gpm flow rate. Flat stop style with temperature adjust handle on side. Chrome finish.

Battery operated (DC) or plug in (AC) with battery backup. The battery life is around 100,000 cycles if running on battery only. Certified to ASME A112.18.1 / CSA B125.1

Faucet dimensions  $1\frac{5}{8} \times 7 \times 5\frac{7}{8}$ "

\$ 675



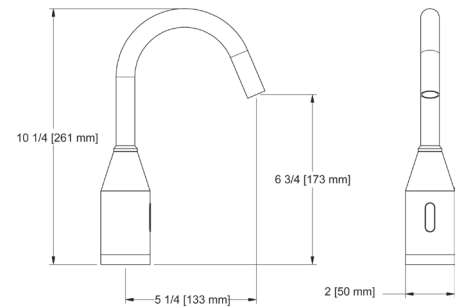
### Laminar flow deck mount faucet HHF180-6L

Hands free faucet for deck mounting with IR sensor. Open spout, free of flow control or aerators. Chrome finish.

6.0 Lpm/ 1.5 gpm laminar flow rate. Supplied 6VDC plug in transformer included. Easy topmount installation. Automatic anti-vandal timeout. Certified to ASME A112.18.1 / CSA B125.

Overall dimensions  $2 \times 5\frac{1}{4} \times 10\frac{1}{4}$ "

\$ 680



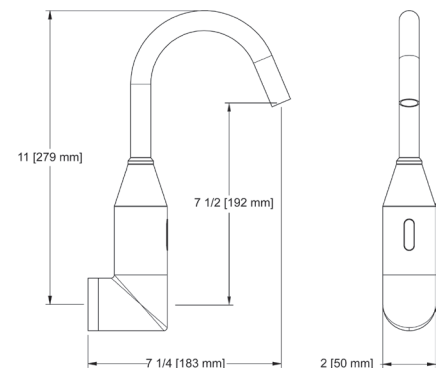
### Laminar flow wall mount faucet HHF180-6L-W

Hands free faucet for wall mounting with IR sensor. Open spout, free of flow control or aerators. Chrome finish.

6.0 Lpm/ 1.5 gpm laminar flow rate. Supplied 6VDC plug in transformer included. Easy topmount installation. Automatic anti-vandal timeout. Certified to ASME A112.18.1 / CSA B125.

Overall dimensions  $2 \times 7\frac{1}{4} \times 11$ "

\$ 749



### Mixing valve MIX-LF

Thermostatic mixing valve for use with Franke faucets.

\$ 225

## Washroom accessories

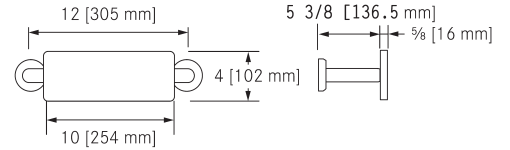


### Back rest, 5 inch depth CM-16104

Back rest for wall mount toilet. Stainless steel bar with #4 satin finish with flanges and covers, with antique white solid core plastic laminate panel back. Concealed snap flanges and mounting hardware included. Provide adequate backing in wall for support and comply to local codes for barrier free requirement.

Dimensions **6 x 12 x 4"**

**\$ 688**

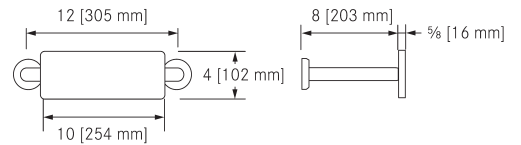


### Back rest, 8 inch depth CM-16104-WM

Back rest for wall mount toilet. Stainless steel bar has #4 satin finish with flanges and covers, with antique white solid core plastic laminate panel back. Concealed snap flanges and mounting hardware included. Provide adequate backing in wall for support and comply to local codes for barrier free requirement.

Dimensions **8 5/8 x 12 x 4"**

**\$ 688**

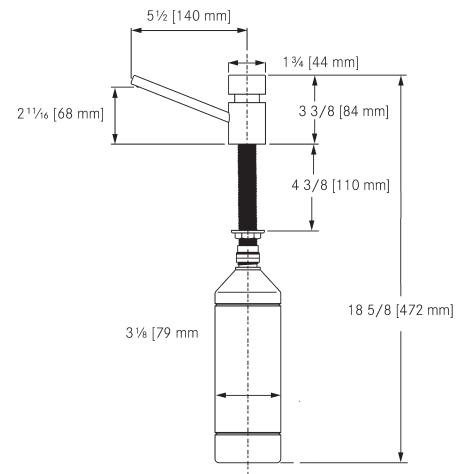


### Soap dispenser SD80V-EXT

Manual soap dispenser with extension for "Murro" basin (or equivalent). For use with liquid soap. Chromium plated brass. Includes a 1 litre polyethylene container for use with liquid soap. Replacement part available for container.

Dimensions **5 1/2 x 18 5/8 x 1 3/4"**

**\$ 339**



# Aqua-foam soap dispensers



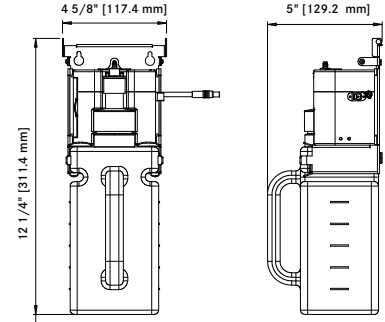
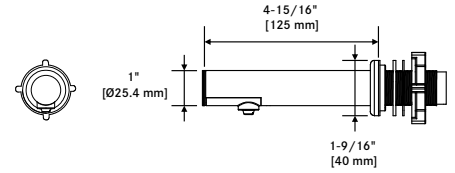
## Foam soap dispenser, wall mount

Polished finish with light ring

### SD01-001CFL

Stainless steel touch-free soap dispenser. AC powered (plug in) LED status light to notify of sensor blockage, soap level or if the wrong type of soap is used. Soap dispenser will dispense once every 48 hours if there is no action in between to avoid a clog in the tip. 1.5 liter (50 fl oz.) easy refill soap tank included. Overall dimensions **1 x 4 5/16"**

**\$ 605**



## Foam soap dispenser, wall mount

Satin finish with light ring

### SD01-001SFL

**\$ 593**



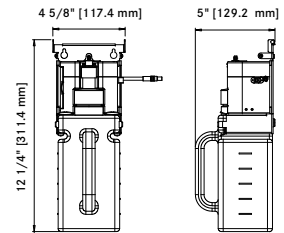
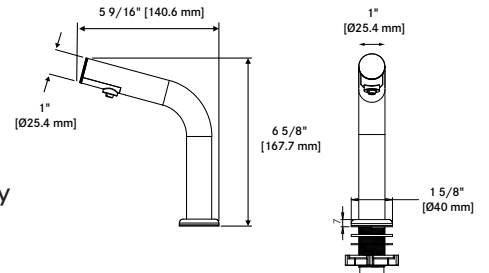
## Foam soap dispenser, deck mount

Polished finish with light ring

### SD01-003CFL

Stainless steel touch-free soap dispenser. AC powered (plug in) LED status light to notify of sensor blockage, soap level or if the wrong type of soap is used. Soap dispenser will dispense once every 48 hours if there is no action in between to avoid a clog in the tip. 1.5 liter (50 fl oz.) easy refill soap tank included. Overall dimensions **1 x 6 5/8"**

**\$ 617**



## Foam soap dispenser, deck mount

Satin finish with light ring

### SD01-003SFL

**\$ 631**

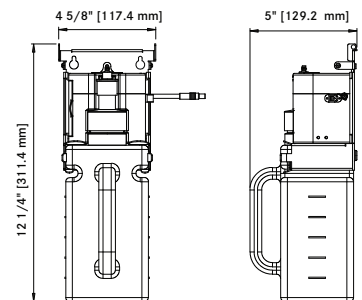
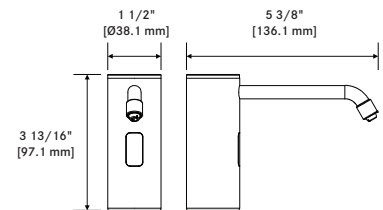


## Foam soap dispenser, deck mount

### SD01-002CF

Stainless steel touch-free soap dispenser. Requires either AC power or DC battery power to operate the soap dispenser. Soap dispenser will dispense once every 48 hours if there is no action in between to avoid a clog in the tip. 1.5 liter (50 fl oz.) easy refill soap tank included. Overall dimensions **1 1/2 x 5 3/8"**

**\$ 534**



## Foam soap dispenser, deck mount

Satin finish

### SD01-002SF

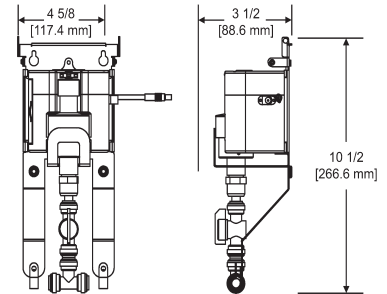
**\$ 441**

# Aqua-foam soap dispensers - multifeed



Stainless steel touch-free soap dispenser unit as part of multifeed tank system. Ideal for high-traffic environments including airports, bus terminals, and other public spaces. Multi-feed model, up to six (6) units may be fed from a single multifeed tank. SD01-MFT sold separately, see below. Soap dispenser is sold with wall mount motor unit. Requires either AC power or DC battery power to operate the soap dispenser. Soap dispenser will dispense once every 48 hours if there is no action in between to avoid a clog in the tip.

Soap pump mechanism included with every multifeed soap dispenser unit. SD01-MFT tank sold separately.



MODEL	DESCRIPTION	Overall Dimensions			FINISH	MOUNTING TYPE	PRICE
		FRONT-BACK	LEFT-RIGHT	HEIGHT			
SD01-001CFL-MF	Wall mount multifeed dispenser with light ring, polished	4 15/16" (125 mm)	1" (25 mm)	1" (25 mm)	High polish	WALL	\$ 543
SD01-001SFL-MF	Wall mount multifeed dispenser with light ring, satin finish	4 15/16" (125 mm)	1" (25 mm)	1" (25 mm)	Satin	WALL	\$ 531
SD01-003CFL-MF	Deck mount, curved multifeed dispenser with light ring, polished	5 9/16" (141 mm)	1" (25 mm)	6 5/8" (168 mm)	High polish	DECK	\$ 555
SD01-003SFL-MF	Deck mount, curved multifeed dispenser with light ring, satin finish	5 9/16" (141 mm)	1" (25 mm)	6 5/8" (168 mm)	Satin	DECK	\$ 569
SD01-002CF-MF	Deck mount multifeed dispenser, polished	5 3/8" (136 mm)	1 1/2" (38 mm)	3 13/16" (97 mm)	High polish	DECK	\$ 467
SD01-002SF-MF	Deck mount multifeed dispenser, satin finish	5 3/8" (136 mm)	1 1/2" (38 mm)	3 13/16" (97 mm)	Satin	DECK	\$ 454

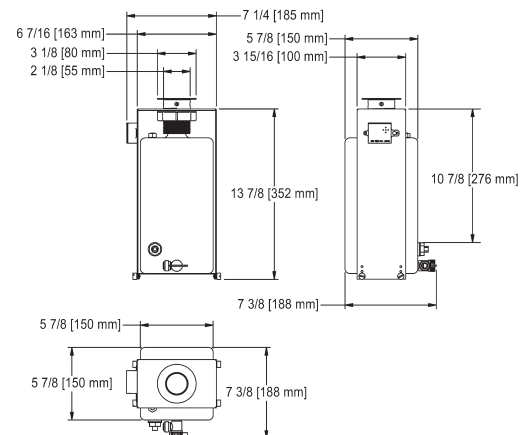
## Aqua-foam multifeed soap dispenser tank, 6L SD01-MFT

Wall mounted commercial, multi-fed foam soap dispenser model can supply up to 6 dispensers. 1.6 gallon (6 litre) capacity for foam soap. Only for use with the multifeed models Franke Aqua-foam soap dispensers, in table above with suffix MF.

6VDC plug in transformer supplied per tank. Fills through opening in countertop. Flange with LED light ring and wall mounting brackets included. LED light ring on fill cap alerts low soap conditions at a glance. During filling, an audible melody will play to alert staff when filling is complete.

Overall dimensions **7 3/8 x 7 1/4 x 13 7/8"**

**\$ 403**



# Drain Parts & Fittings



Pictured: 1140G grid accessory installed on 1140 strainer assembly

## 3 1/2" (89 mm) waste fittings



### **Stainless steel basket strainer 1140**

3 1/2" (89 mm) all metal basket strainer assembly. Type 304 stainless steel construction complete with 1 1/2" x 3" (38 x 76 mm) brass tailpiece. Pull up crumb cup. Certified to ASME A112.18.2-2005/CSA B125.2-2005.

**\$ 28**



### **Stainless steel grid strainer accessory, type 316, vandal-resistant 1140G**

Grid accessory for 3 1/2" (89 mm) basket strainer. Replaces crumb cup on 1140, 1140F-316 or the 1120-316 waste assembly to create a vandal-resistant grid waste assembly. Type 316 stainless steel construction. Certified to ASME A112.18.2-2005/CSA B125.2-2005.

**\$ 38**



### **Stainless steel basket strainer, type 316 1140F-316**

3 1/2" (89 mm) basket strainer in type 316 stainless steel construction, with 1 1/2" x 3" (38 x 76 mm) Type 316 stainless steel tailpiece. Pull up crumb cup. Certified to ASME A112.18.2-2005/CSA B125.2-2005.

**\$ 89**

## 1 1/2" (38 mm) waste fittings



### Duplex waste with rubber stopper 100

1 1/2" (38 mm) DN38 duplex stainless steel waste complete with 1 1/2 x 3" (38 x 76 mm) brass tailpiece. Rubber stopper with pull up ring.

\$ 18



### Duplex waste in type 316 stainless steel with rubber stopper 200-316

1 1/2" (38 mm) DN38 duplex type 316 stainless steel waste complete with 1 1/2 x 3" (38 x 76 mm) type 316 stainless steel tailpiece. Rubber stopper with pull up ring.

\$ 51



### Stainless steel grid strainer 100-NR

1 1/2" (38 mm) vandal-resistant grid waste fitting, type 302 stainless steel, complete with with 1 1/2 x 3" (38 x 76 mm) stainless steel tailpiece.

\$ 132



### Integral waste assembly, type 316 1047

1 1/2" (38 mm) integral waste assembly. Complete with type 316 stainless steel shank, shank gasket, brass shank nut, brass tailpiece nut, and nylon tailpiece gasket.

\$ 26



### Integral waste cover for 1 1/2" (38mm) drain 100-1-302

1 1/2" (38 mm) perforated stainless steel grid waste cover for 1 1/2" drain.

\$ 25



### Stainless steel standpipe, 10" long 310-1

Standpipe for 1 1/2" (38 mm) waste in type 304 stainless steel. 10" (254 mm) long.

\$ 45



### Stainless steel standpipe, 12" long 312-1

Standpipe for 1 1/2" (38 mm) waste in type 304 stainless steel. 12" (304 mm) long.

\$ 48

## 1 1/4" 32 mm waste fittings



**Grid strainer with overflow**  
**3700**

1 1/4" (32 mm) grid strainer with overflow and removable tailpiece. Certified to ASME A112.18.2-2005/CSA B125.2-2005.

**\$ 61**



**Grid strainer no overflow**  
**3719**

1 1/4" (32 mm) grid strainer with removable tailpiece. Certified to ASME A112.18.2-2005/CSA B125.2-2005.

**\$ 61**

## Drain Parts & Fittings



**Type 316 stainless steel tailpiece**  
**315-9-316**

1 1/2 x 3" (38 x 76 mm) type 316 stainless steel tailpiece.

**\$ 24**



**Specialty waste fitting, drain cover**  
**WHB5222-PW**

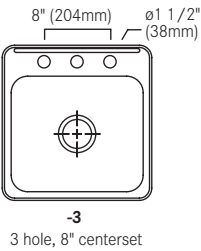
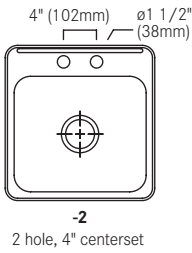
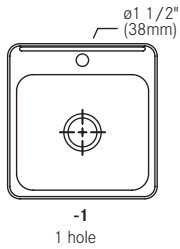
Replacement stainless steel pyramid-shaped waste cover for WHB5222-7 basin.

**\$ 89**

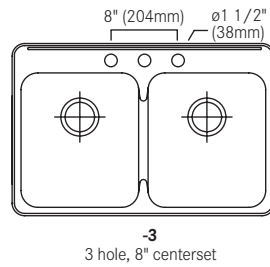
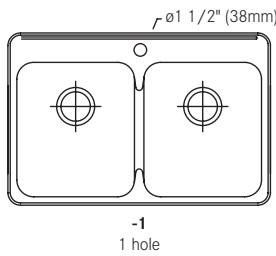


# Standard hole drillings for topmount stainless steel sinks

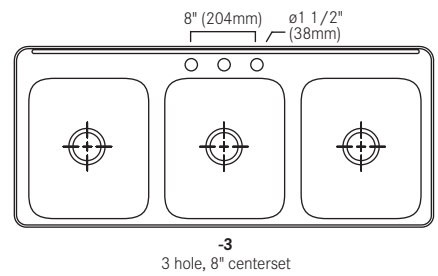
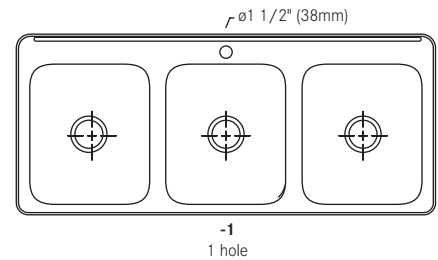
## Single bowl



## Double bowl

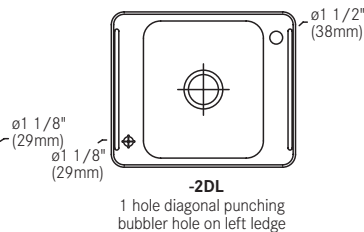
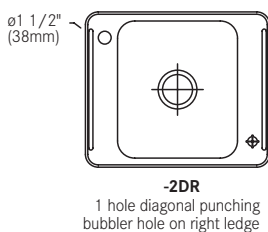
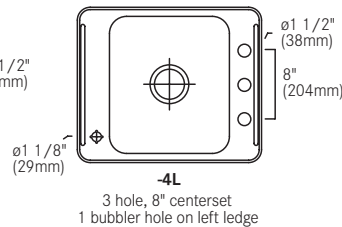
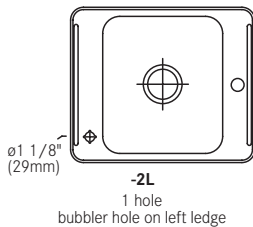
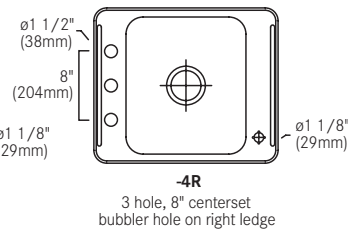
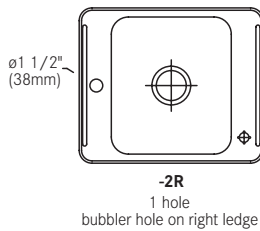


## Triple bowl

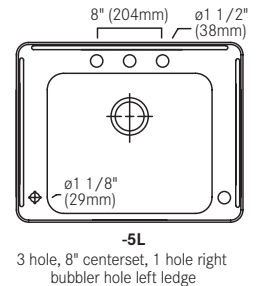
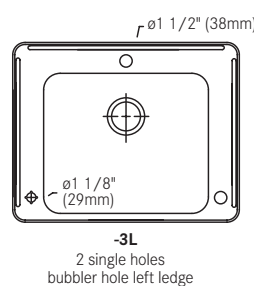
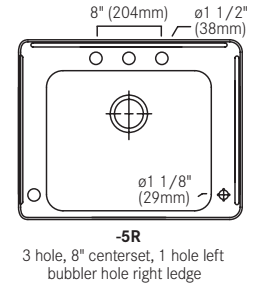
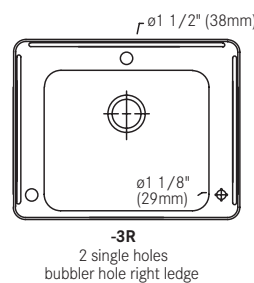


**ALRS-series classroom sinks have same hole punches as single bowl, above.**

## Classroom sinks (ALHS/LHS series)



## Classroom sinks (ALBLRS series)



# Custom solutions



## Full custom fabrication capabilities: No minimum order

Franke Commercial will custom fabricate products to meet our customers' exact specifications. Modifications can be made to most of our standard catalogue products.

All our custom fabricated products are polished to a #4 satin finish and can be made to meet the material specification you require (T304 or T316, 14 to 18 gauge). Continuous weld construction is available for pharmaceutical applications if required.

Contact us for a quote:

- Countertops
- Topmount & Undermount Sinks
- Drainboard Sinks
- Scullery Sinks
- Wall Mount Hand Wash Stations
- Surgical Scrub Stations
- Mop Sinks
- Wall Mounted Utility Sinks



Some customers require a sink, basin, or countertop that is different from our catalog offering. This is why Franke Commercial is proud to offer custom stainless steel solutions for our customers. If you can sketch it, we can build it using our decades of experience and the quality you expect from Franke.



### **It starts with a sheet of stainless steel**

We will cut, form, weld and finish it to your exact specifications. Give us the material specifications, written spec or drawing, and Franke will deliver a certified high-quality product.

### **Sinks with integrated countertops**

Tops are available in any size and length.  
Sink bowl welded into countertop.



### **Custom-sized sinks**

We have worked with architects, designers, and engineers for decades to bring their unique designs to life.

### **Scullery & utility**

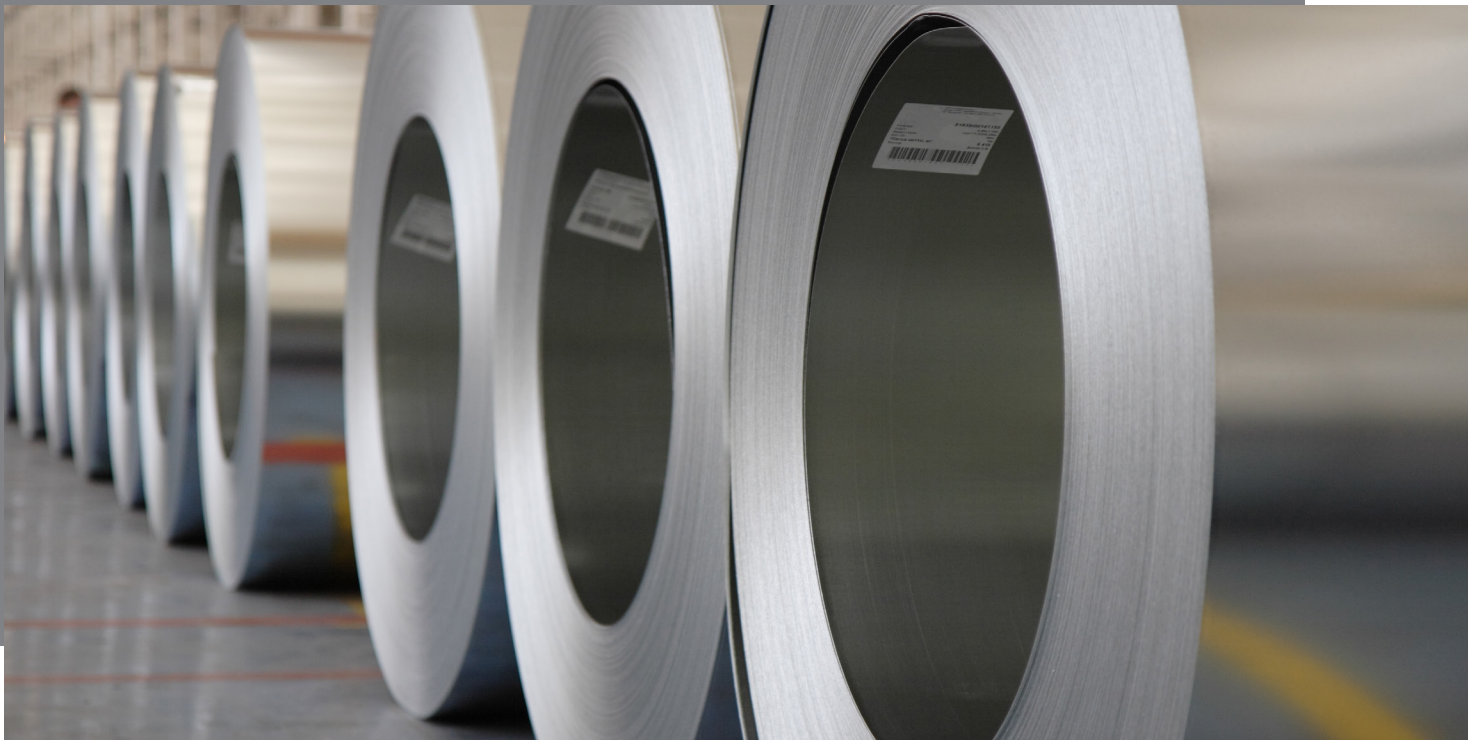
Tailor made bowl size, height, backsplash style, drainboards, and sink edge types.

### **Healthcare & pharmaceutical**

Continuous weld construction available upon specification. Custom made products that meet or exceed national healthcare standards.

### **Get a quote within 48hrs**

Delivered from our facility in 8 to 10 weeks' time.  
Have questions or need it faster?  
Email us at: [commercial-info.us@franke.com](mailto:commercial-info.us@franke.com)



## STAINLESS STEEL TYPES & FINISHES

### 20 GAUGE

18-8 stainless steel, Type 302

A good quality steel with 18% chromium and 8% nickel content. This type of stainless steel is typically used for sinks that are 8" deep or less.

### 18 GAUGE

18-10 stainless steel, Type 304

A heavier weight stainless with 18% chromium, and 10% nickel. This type of stainless steel is optimal for manufacturing deeper sink bowls.

### 16 & 14 GAUGE

Type 304

Most often used in fabrication of institutional sinks such as kitchen sculleries, wallmount utility sinks, as well as mop and service sinks.

### BOWL AND DECK FINISHES

With the exception of vanity basins, the Franke Commercial sink bowls have a #4 satin finish. A satin finish has a noticeable grain line on the inside of the bowl. This type of finish is practical, particularly in a heavy use application, as any scratches may be blended into the grain line.

The #4 satin finish deck will stand up to the rigours of time and repeated use, and the natural grain of the steel will disguise any scratches acquired from use.



## Stainless steel corrosion resistance information

Substance, Conditions, Strength and Temperature	T316	T304	T302
Acetic Anhydride (90%, aerated, 180 degrees F)	B	C	C
Aluminum Fluoride (5%, 70 degrees F)	B	C	C
Aluminum Sulfate (10%, boiling)	A	B	B
Ammonium Bromide (5%, 70 degrees F)	B	C	C
Ammonium Sulfate (10%, boiling)	A	B	B
Bleaching Powder (dry)	A	C	C
Butyric Acid (saturated, boiling)	A	B	B
Calcium Bisulfite (aqueous solution, 300 lbs. pressure, 390 degrees F)	B	C	C
Calcium Hydroxide (50%, boiling)	B	C	C
Calcium Hypochlorite (saturated, 70 degrees F)	A	C	C
Chloroacetic Acid (70 degrees F)	B	C	C
Chlorine Gas (moist, 70 degrees F)	B	C	C
Chromic Acid (50%, boiling)	B	C	C
Ferric Chloride 1%, 70 degrees F)	B	C	C
Fluosilicic Acid 90%, 70 degrees F)	B	C	C
Formic Acid (10%, 180 degrees F)	A	C	C
Hydrochloric Acid (1% or less, 70 degrees F)	B	C	C
Iodine (dry, 70 degrees F)	A	C	C
Lactic Acid (10%, 150 degrees F)	B	C	C
Mercuric Chloride (2%, 70 degrees F)	B	C	C
Oxalic Acid (2.5%, 180 degrees F)	A	C	C
Phosphoric Acid (80%, 230 degrees F)	B	C	C
Salt Brine (70 degrees F)	A	C	C
Sauerkraut Brine (70 degrees F)	A	C	C
Sodium Hydroxide (melting, 600 degrees F)	B	C	C
Stannic Chloride (5%, 70 degrees F)	B	C	C
Sulfuric Acid (5%, 100 degrees F)	A	C	C
Zinc Chloride (saturated, 70 degrees F)	B	C	C

### CHEMICAL DATA

**A** = fully resistant, **B** = fairly resistant, **C** = not resistant. The chemical data above should be used as a guide to determine the type of stainless steel that will be appropriate for the application. The rating system denotes the level of resistance to corrosion for the different types of stainless steel. For applications involving chemicals or conditions not listed, please consult Franke Commercial customer service.

Corrosion, or rusting, often reported soon after installation, has two main causes:

1. Contact Corrosion occurs when a piece of common carbon steel, copper, brass or other foreign material contacts the sink and destroys the passive protective film.
2. Pitting or Pinhole Corrosion occurs when chlorides attack the steel forming pits where galvanic cells are created. Acid chlorides are particularly severe, but even chlorine bleach can cause failure. The sink should be rinsed thoroughly after such contact. Type 316 steel should be specified if the sink will be subject to such conditions.

In the presence of oxygen, stainless steel forms a protective chromium oxide layer. This is due to the addition of chromium in excess of 11.5% during the alloying stage. The further addition of nickel, in excess of 7%, gives superior corrosion resistance to the 300 series.

Maximum corrosion resistance is obtained with the addition of molybdenum to form TYPE 316, designed to resist attack under highly corrosive conditions.



As implied, stainless steel requires oxygen in order to be stainless. There are ways to make oxygen more plentiful. For example, an acid solution which might otherwise corrode the steel, can be aerated to maintain the protective film.

# Care & Maintenance for Stainless Steel Sinks

## WHAT TO DO

Brushes with natural or plastic bristles, cotton or synthetic or micro fibre clothes, leather, sponges, pressure washer, vapour stream cleaner, toothpaste, household and window-cleaning products and natural cleaning substances like diluted vinegar (20 % vinegar / 80 % water) are ideal for cleaning stainless steel.

The best form of maintenance is frequent, regular cleanings. The best method of preventative maintenance is to ensure that the fixture is clean, dry and exposed to room atmosphere when not in use. Rinse and towel dry the fixtures daily in order to minimize major cleanups. This is of particular importance if potentially corrosive chemicals have been used.

Keep the fixture free of any standing water, which may build up mineral deposits. The quality of your water can affect the appearance and this water quality will vary from building to building.

To clean your stainless product, use the mildest cleaning procedure that will do the job effectively. On mirror finish (shiny) products we recommend using either a liquid detergent or Peek™ with a soft cloth. **DO NOT USE ABRASIVE MATERIALS ON THE MIRROR FINISH.** On satin (matte) finishes and/or inside sink bowls we recommend using a very mild abrasive cleanser such as Old Dutch® or Cameo®.

Any cleaning or scrubbing to remove stubborn stains should follow the direction of the grain line. Any scrubbing across the grain will show as a scratch. Scrubbing in the same direction as the polish lines will blend in any surface scratch. We recommend that Scotch-Brite® pads be used only on satin finishes.

Stains and water spots anywhere on the product can be removed with a small amount of Peek™ on a damp cloth. Rub Peek™ over the surface. Always rinse after using a cleaning agent, and wipe dry to discourage any water spotting.

## WHAT NOT TO DO

We recommend that you do not use chlorine bleach to clean stainless steel, as chlorine will attack the protective layer that makes stainless steel truly stainless. The risk of damage is proportional to the concentration of the chlorine and the duration of exposure between the fixture and chlorine agent. Always dilute any antibacterial product used and wipe up any spills. Note: some antibacterial soaps contain a chlorine compound.

The unique properties of stainless steel are dependent upon exposure of the surface to the atmosphere. Do not leave any utensils in a sink overnight, as they will trap water underneath or leave a residue of small iron particles which could lead to staining and discoloration of the surface. They may not even be readily visible, but they most certainly will lead to corrosion. Any signs of rust can be removed with non metallic Scotch-Brite® scouring pads, but do not scrub across the grain. For similar reasons do not leave any mild steel, or cast iron cookware or implements, anywhere on a stainless steel surface for extended periods of time. Steel wool, metallic scouring pads, abrasive, grinding and polishing powder as well as sand paper should never be used on a stainless steel surface as they can damage or scratch it.

## Warranty

Every Franke Commercial product is guaranteed to be suitable for any normal purpose for which it is intended and without defects in material or workmanship for the following periods of time, provided it has been installed and maintained according to Franke Commercial instructions.

- Stainless steel topmount sinks, undermount, wall mount basins
  - 5 year warranty
- Stainless steel scullery sinks, mop and sewage sampling sinks
  - 1 year warranty
- Aquarius and Ozo-flo touch-free faucets
  - 5 year warranty on faucet body, cables & plug-in power supply (if equipped)
  - 1 year on solenoid valve
- HHF-series touch-free faucets
  - 1 year warranty on faucet body, cables & plug-in power supply (if equipped)
- Custom and fabricated products
  - 1 year warranty
- Drain fittings and waste parts
  - 1 year warranty
- Electronic water controls
  - 1 year warranty
- Solid surface wall hung sinks: Medi-flo, Nightingale, Wall Hung Basin
  - 2 year warranty on sinks
  - 1 year warranty on electronics of Medi-flo
- Sculleries, mops and sewage sampling sinks
  - 1 year warranty
- Aqua-foam soap dispensers
  - 1 year warranty

# Terms & Conditions

---

## GENERAL

- Products may only be sold and advertised within North America. Franke hereby expressly prohibits the dealer from soliciting or consummating sales outside of North America without prior written consent.
- Products shall only be sold in their original packaging. Relabeling, repackaging (including the separation of bundled products or the bundling of separate products), and other alterations are not permitted.
- Sale of Franke products on the Internet shall be prohibited unless resellers apply and are approved by Franke Home Solutions North America, LLC, and execute an Authorized Internet Reseller Agreement regulating the manner in which they sell online.

## ORDERING

- Once an order has been acknowledged, no changes (including additions or cancellations) will be accepted within 48 hours prior to shipping.
- Order acknowledgments are available via email. Email address must be provided to receive this benefit.
- Standard lead time for shipment is one to five (1-5) business days from receipt of order.

## STANDARD PAYMENT TERMS

- Net 30 days.
- Early payment discounts are not applicable for payments via credit card.
- Franke reserves the right to charge interest and an administration fee on late payments.

## PRICING

- Please refer to the electronically published price list (EPL). Orders will be priced with the prevailing price at the time the order is placed.
- Prices are subject to change without notice. Franke will attempt to provide reasonable lead time for pricing changes.

## CLAIMS / CHARGE BACKS

- Damages/Shortages must be reported within ten (10) days of receipt of merchandise.
- Charge backs will not be accepted without an authorization number (RMA), provided by a Regional Sales Manager, Distributor, or Customer Service.

## RETURNS

- No returns will be accepted without a return authorization number (RMA).
- Return authorization requests must be submitted through Rep/Regional Manager.
- A 25% restocking fee will be charged for ALL returns of product that was not damaged or mis-shipped.
- No returns will be accepted more than 90 days from original invoice date.
- No returns will be accepted on discontinued (DWO) or obsolete product.
- Franke reserves the right to refuse returns without reason.

## FREIGHT

### Pre-paid freight/Free freight allowance (FFA)

- USD \$2,900 is the minimum order value for FFA
- All product lines, including parts, can be included in freight qualification calculations.
- All Display and Literature orders will be shipped with pre-paid freight status.

### Flat Rate Shipping

- Any order shipping parcel containing standard products will ship for \$25 flat.
- Orders >150 lbs. are shipping LTL and are charged according to weight/dimension.
- Orders containing Fireclay sinks are charged USD 200 for up to 2 units and USD 350 for up to 4 units.
- Other: standard shipping rates apply for Fireclay orders greater than 4 units and any parts only orders.
- Franke reserves the right to modify these terms at any time.

### Other freights terms

- Franke will attempt to fulfill requests to expedite shipping. Customers will be responsible for additional freight charges. Contact Customer Service for all expedited shipping requests.
- Drop shipment of internet orders is not available. All Internet Sales must be shipped from an Authorized Internet Reseller's location.
- Drop shipment is offered within 100 miles of customer's place of business, or within customer's state or a bordering state on wholesale orders.

## BACK ORDERS

- Back order shipments will match freight qualifying status of original order.
- Back ordered product will be considered an active order unless customer requests cancellation.



## Terms & Conditions

---

### FRANKE HOME SOLUTIONS WARRANTY EFFECTIVE OCTOBER 1, 2023

In the United States, Canada and Latin America, Franke warrants the products from manufacturing defects in material and workmanship when purchased from Franke or a Franke Authorized Retailer pursuant to product-specific warranties detailed herein (each, a “Warranty” and collectively, the “Warranties”). The products must be properly installed, per company’s installations instructions, in its original installation, and used in normal indoor residential kitchen applications. Any products or components which have been modified or altered, from its original intended condition will void the warranty. The Franke Warranties are limited to the original purchaser and are non-transferrable. These Warranties do not include products purchased from non-Authorized Retailers, products that are obsolete or discontinued, or products that were previous display models. All issues with installed products are considered warranty claims and not subject to the Return Policy. Franke reserves the right to inspect any product reported to be defective and the original installation prior to providing a replacement product and/or component. All decisions are final. In no situation shall the liability of Franke exceed the amount of the original purchase price.

The Warranties do not cover, and Franke shall not be liable for, any damage to products or components resulting from misuse or abuse, accidental damages, normal wear such as scuffs, scratches or finish reduction/fading; improper installation, abnormal usage, negligence, damage caused by improper maintenance or cleaning. Damage caused by impurities, corrosive chemicals or acts beyond Franke’s control are not covered by any Warranty.

Franke product replacements do not include transportation, shipping, diagnosis, labor, installation, removal, disposal for any products or liability for project delays. Product replacements are not guaranteed to be exact replacements. The owner of a product is liable for any transportation and re-installation costs related to any warranty for such product. If the original product is not available at the time of the warranty claim, at Franke’s option, the product replacements will be of similar size, material, and value. Any products or components which have been modified or altered, from its original intended condition will void the warranty.

The Warranties do not allow recovery of incidental or consequential damages such as loss of use, delay, property damage or other consequential damage, and Franke accepts no liability for such damages. Each Warranty is limited to the conditions set forth herein and to the applicable warranty period specified herein and is exclusive. EXCEPT FOR THE WARRANTIES SET FORTH HEREIN, FRANKE MAKES NO WARRANTY WHATSOEVER WITH RESPECT TO THE PRODUCTS, INCLUDING, BUT NOT LIMITED TO, (1) ANY WARRANTY OF MERCHANTABILITY, (2) WARRANTY OF FITNESS FOR A PARTICULAR PURPOSE, (3) WARRANTY OF TITLE, OR (4) WARRANTY AGAINST INFRINGEMENT OF INTELLECTUAL PROPERTY RIGHTS OF A THIRD PARTY, WHETHER EXPRESS OR IMPLIED BY LAW, COURSE OF DEALING, COURSE OF PERFORMANCE, USAGE OF TRADE OR OTHERWISE. LEGAL DISCLAIMER PLEASE READ CAREFULLY. Franke Home Solutions North America, LLC/Franke Kindred Canada Limited provides the above information to you as a public service to our customers. By accessing and using this information, you agree to the following and to comply with all applicable laws. If you do not agree with these terms and conditions, do not use this information. While we try to keep the information current, changes may have occurred since its creation. Contact your Regional Manager or Customer Service to verify information regarding Franke Home Solutions North America, LLC/Franke Kindred Canada programs and their use by you.



Franke Home Solutions North America  
800 Aviation Parkway  
Smyrna, TN 37167  
[commercial-info.us@franke.com](mailto:commercial-info.us@franke.com)  
[franke.com](http://franke.com)

Franke Commercial 2024 catalog  
*Pricing effective March 1, 2024*  
USA

**#61571**  
Printed in Canada